

# Table of Contents

## ***Fans — Section (A)***

Inline & Utility Set Fans .....	3,4
Power Roof Ventilators .....	5,6
Up-Blast Roof Ventilators .....	7
Roof Curbs .....	8
Inline Fans & Dryer Boosters .....	9
Ceiling Exhaust & Paddle Fans .....	10
Draft Inducers .....	11,12

## ***Life Safety Dampers — Section (B)***

Combination Fire Smoke Dampers .....	15
Curtain Fire Dampers & Fusible Links .....	16
Smoke Detectors & Accessories .....	17,18

## ***Louvers & Dampers — Section (C)***

Louvers & Control Dampers .....	21
Spring Return Actuators .....	22
Fire/Smoke Control Actuators & Backdraft Dampers .....	23
Blast Gates .....	24

## ***Heaters — Section (D)***

Gas Fired Heaters .....	27,28
Electric Heaters .....	29-34
Infrared Heaters .....	35

## ***VAV Boxes — Section (E)***

VAV Boxes .....	37
Hot Water Coils .....	38

## ***Filters — Section (F)***

Koch Rectangular & Media Roll .....	41
-------------------------------------	----

## ***Diffusers, Registers & Grilles — Section (G)***

Ceiling Diffusers, Dampers & Adaptors .....	43-45
Slot Diffusers & Spiral Registers .....	46
Supply Registers .....	47
Return Grilles .....	48
Eggcrate Grilles .....	49

## ***Zone Control Systems — Section (H)***

Zonex .....	51
-------------	----

## ***Ductwork, Venting & Accessories — Section (I)***

Flexible Duct .....	53,54
---------------------	-------

## Table of Contents (Cont'd)

### ***Ductwork, Venting & Accessories (Cont'd) — Section (I)***

Tensioning Tools & Accessories .....	54,55
Spiral Pipe & Accessories .....	55,56
Yellow Label Pipe & Fittings .....	56,57
Access Doors & Type-A Vent Piping .....	58
Type-A Vent Piping (Continued) .....	59
Type-B Vent Piping .....	60-62
Duct Connectors, Fasteners & Accessories .....	63,64
Insulation & Accessories .....	65
Adhesives & Sealants .....	66
Rubber Roof Supports .....	67,68

### ***List of Manufacturers***

.....	71,72
-------	-------

# In Line Fans

## XB- In Line Centrifugal Fan, Belt Driven

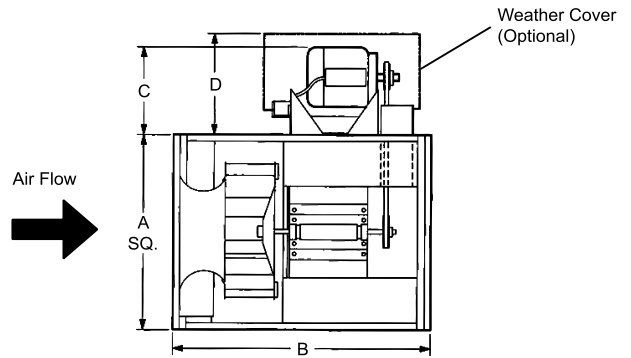


A

FANS

Stock #	Model	CFM @ .25" SP	HP	Volt / Ph
249401	XB090-E2	663-978	.25	115/1
249402	XB0120G	1190-1845	.50	115/1

XB DIMENSIONAL DATA (in.)					
Fan Model	A	B	C Max.	D Max.	Impeller Size
XB090	14.02	18.56	12.17	14.06	10.19
XB120	17.88	24.88	11.19	15.25	11.94



U.L. 705 Listed



CSA Certified



### Standard Fan Features:

- Includes aluminum BI blades
- Belt guard
- Bolted access panels
- Disconnect switch
- **AMCA label for air and sound.**

# Utility Set Fans

## QBR- Centrifugal Fan, Belt Drive



Stock #	Model
249-601	QBR100
249-602	QBR137
249-603	QBR161
249-604	QBR200
249-605	QBR245

### Standard Fan Features:

- Bare Fan (no motor or drive)
- Weather Cover
- CW Rotation
- Rotatable Housing Assembly
- Multiple motor and drive arrangements (shipped loose)



U.L. 762 Listed



CSA Certified



# Power Roof Ventilators

## PV- Down Blast Exhauster, Belt Drive



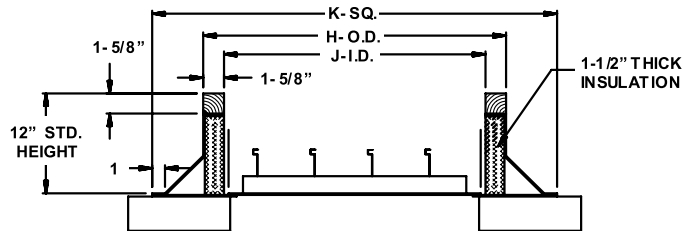
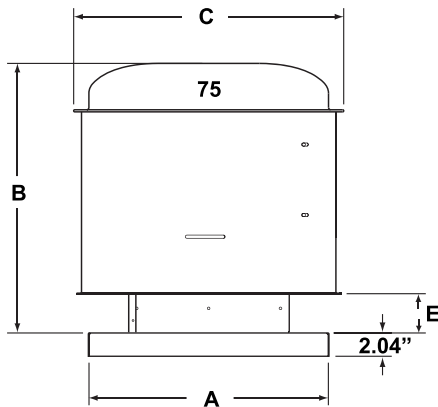
# A

FANS

.25" SP

Stock #	Model #	HP	Volt / Ph	CFM Range @ 1/2" WG	Curb Stock # 12" High ( Not Vented )	Gravity Damper
249-301	PV085-E2	.25	115 / 1	331-693	249807	113816
249-302	PV100-E3	.25	115 / 1	472-965	249807	113816
249-303	PV120-E5	.25	115 / 1	1067-1500	249807	113816
249-304	PV135-F	.33	115 / 1	1468-2025	249807	113816
249-305	PV150-G	.59	115 / 1	1769-2643	249804	113818
249-306	PV180-G	.50	115 / 1	2184-3790	249805	113820
249-307	PV200-H	.75	115 / 1	2337-4620	249805	113820
249-308	PV240-H	.75	115 / 1	3037-5811	249806	113824
249-309	PV240-K	1.5	208 / 3	4356-7448	249806	113824

PV Dimensions						Curb Dimensions		
Model Size	A	B	C	E	Roof Opening	K	H	J
PV085	21.00	23.62	23.67	3.44	16.50 x 16.50	27.5	19.5	16.5
PV100	21.00	23.62	23.67	3.44	16.50 x 16.50	27.5	19.5	16.5
PV120	21.00	26.75	29.38	4.06	16.50 x 16.50	27.5	19.5	16.5
PV135	21.00	26.75	29.38	4.06	16.50 x 16.50	27.5	19.5	16.5
PV150	24.00	30.96	35.14	5.19	19.50 x 19.50	30.5	22.5	19.5
PV180	28.00	35.40	39.60	6.19	23.50 x 23.50	34.5	26.5	23.5
PV200	28.00	35.40	39.60	6.19	23.50 x 23.50	34.5	26.5	23.5
PV240	34.00	38.39	46.49	7.75	29.50 x 29.50	40.5	32.5	29.5
PV240	34.00	38.39	46.49	7.75	29.50 x 29.50	40.5	32.5	29.5



### Standard Fan Features:

- Backward inclined non-overloading aluminum wheel
- Disconnect switch
- Heavy gauge aluminum housing
- Pre-lubricated bearings in duplex split pillow block housing rated at 200,000 hours - 5-year limited warranty
- Two-year limited warranty
- Vibration isolation
- W/Variable pitch drives designed for 1.5 Service Factor
- Aluminum birdscreen



CSA Certified



## Power Roof Ventilators PRN- Down Blast Exhauster, Direct Drive



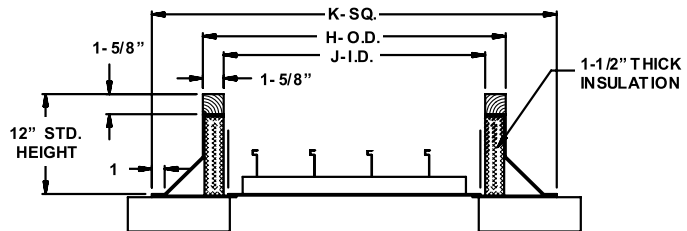
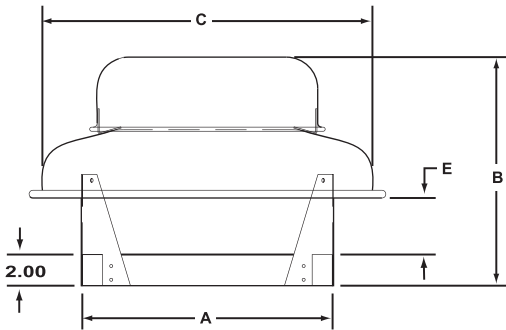
.25" SP

Stock #	Model #	HP	Volt / Ph	CFM Range @ 1/2" WG	Curb Stock # 12" High ( Not Vented )	Gravity Damper
249-201	PRN080-3	.10	115 / 1	248*	249801	113808
249-202	PRN100	.10	115 / 1	610*	249802	113810
249-203	PRN118	.25	115 / 1	1397*	249807	113816
249-204	PRN126	.25	115 / 1	1560*	249807	113816
249-205	PRN145	.50	115 / 1	2300*	249807	113816

\* Fan CFM can be reduced up to 50% with speed controller

Stock #	Accessory Description
249-509	Speed controller for direct drive fans

Model Size	PV Dimensions				Roof Opening	Curb Dimensions		
	A	B	C	E		K	H	J
PRN080-3	13.50	9.00	18.25		9.00 x 9.00	20.00	12.00	9.00
PRN100	16.00	13.25	21.12	3.81	11.50 x 11.50	22.5	14.5	11.5
PRN118	21.00	16.38	27.75	4.81	16.50 x 16.50	27.5	19.5	16.5
PRN126	21.00	16.38	27.75	4.81	16.50 x 16.50	27.5	19.5	16.5
PRN145	21.00	16.38	27.75	4.81	16.50 x 16.50	27.5	19.5	16.5



### Standard Fan Features:

- Aluminum hood
- Disconnect switch/plug
- Galvanized birdscreen
- Heavy gauge aluminum housing
- Two-year limited warranty
- Forward curved aluminum wheel



U.L. 705 Listed



CSA Certified



# Up-Blast Roof Ventilators

PNURG– Up-Blast, Belt Drive Grease Exhauster



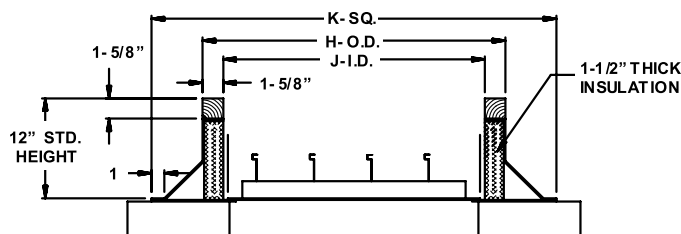
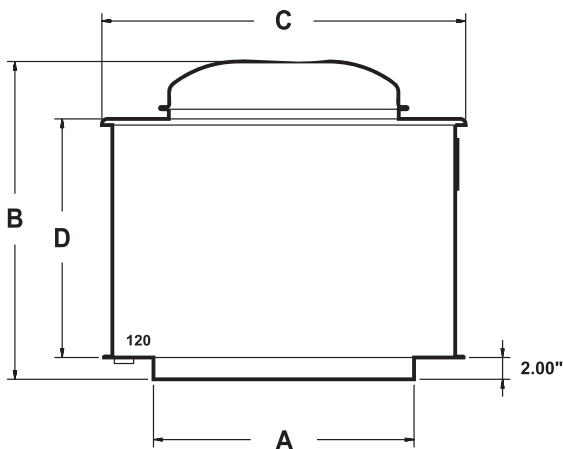
**A**

**FANS**

.5" SP						
Stock #	Model #	HP	Volt / Ph	CFM Range @ 1/2" WG	Curb Stock # 12" High ( Not Vented )	Curb Stock # 18" High ( Vented )
249-501	PNU120RG	.33	115 / 1	1089-1350	249804	249811
249-502	PNU135RG	.50	115 / 1	1432-1650	249804	249811
.1" SP						
Stock #	Model #	HP	Volt / Ph	CFM Range @ 1/2" WG	Curb Stock # 12" High ( Not Vented )	Curb Stock # 18" High ( Vented )
249-503	PNU150RG	1.0	208 / 3	1832-3083	249805	249812
249-504	PNU185RG	2.0	208 / 3	3266-4762	249805	249812

Stock #	Accessory Description
249-510	Grease trough for up-blast fans

PV Dimensions						Curb Dimensions		
Model Size	A	B	C	E	Roof Opening	K	H	J
PNU120RG	24.00	27.37	33.50	22.13	19.50 x 19.50	30.05	22.5	19.5
PNU135RG	24.00	27.37	33.50	22.13	19.50 x 19.50	30.05	22.5	19.5
PNU150RG	28.00	25.92	38.00	22.46	23.50 x 23.50	34.5	26.5	23.5
PNU185RG	28.00	31.56	39.75	28.73	23.50 x 23.50	34.5	26.5	23.5



### Standard Fan Features:

- Vibration isolation
- Backward inclined non-overloading aluminum wheel
- Disconnect switch -Waterproof
- Galvanized curb cap -Integral drain hole
- Heavy gauge aluminum housing
- Pre-lubricated bearings in duplex split pillow block housing rated at 200,000 hours - 5-year limited warranty
- Quick release hood latches
- Restaurant applications
- Two-year limited warranty



CSA Certified



# PRV Roof Curbs

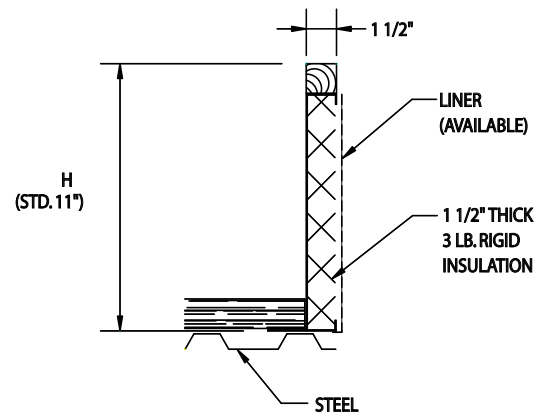
For PV, PRN & PNURG Models



Stock #	Model #	OD	Height	Description
249-801	RC-2A	12" x 12"	12"	Not Vented
249-802	RC-2A	14.5" x 14.5"	12"	Not Vented
248-100	RC-2A	16.5" x 16.5"	12"	Not Vented
249-803	RC-2A	17.5" x 17.5"	12"	Not Vented
249-804	RC-2A	22.5" x 22.5"	12"	Not Vented
249-805	RC-2A	26.5" x 26.5"	12"	Not Vented
249-806	RC-2A	32.5" x 32.5"	12"	Not Vented
249-807	RC-2A	19.5" x 19.5"	12"	Not Vented
249-811	RCV-2A	22.5" x 22.5"	18"	Vented
249-812	RCV-2A	26.5" x 26.5"	18"	Vented

## Standard Construction:

- 12" High Curbs — 18" High Kitchen Curbs
- 18 Gauge Galvanized Steel
- Continuous Welded Corner Seams
- 1-1/2" 3LB Density Rigid Fiberglass Board
- Vented Un-insulated Construction On Up-Blast UL 762\*
- Factory Installed Wood Nailer



RPS:RC-2



# In Line Fans

## In Line Fans & Dryer Boosters

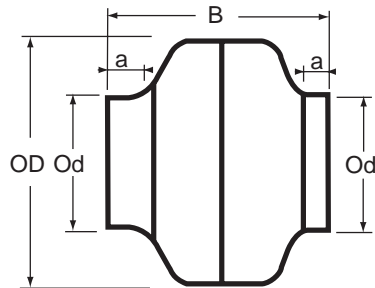


# A

FANS

Stock #	Model	Description
910-304	AXC100A	Inline Fan
910-306	AXC150A	Inline Fan
910-308	AXC200A	Inline Fan
910-310	AXC250	Inline Fan
910-312	AXC315A	Inline Fan
910-316	DVK100-P	Dryer Booster Fan Kit With Pressure Sensor

DIMENSIONAL DATA					
Model	D (in.)	d (in.)	a (in.)	B (in.)	WEIGHT (lbs.)
AXC100A	9.5	3.9	1.0	8.3	6.5
AXC150A	9.5	5.8	1.0	8.3	6.5
AXC200A	13.2	7.8	1.0	9.1	11.0
AXC250	13.2	9.8	1.0	9.1	11.0
AXC315A	15.9	12.4	1.2	11.6	18.0



### Design Features:

- AXC fan speeds are infinitely variable with the addition of a solid-state speed control.
- AXC fans are capable of handling air up to 60°C/140°F and are suitable for light dust and fumes.

PERFORMANCE DATA															
Model	Watts	RPM	dBA	Cubic Feet Per Minute											
				0" SP	1/8" SP	1/4" SP	3/8" SP	1/2" SP	3/4" SP	1" SP	1-1/4" SP	1-1/2" SP	2" SP	3" SP	
AXC100A	55	1750	44	106	99	93	87	80	68	55	39				
AXC150A	80	2500	54	247	225	202	178	161	132	92	50				
AXC200A	72	2550	56	418	397	366	339	306	233	174	110	56			
AXC250	250	2650	63	695	659	610	541	500	359	279	197	125	41		
AXC315A	190	2650	68	865	824	765	736	677	553	459	365	283	124		

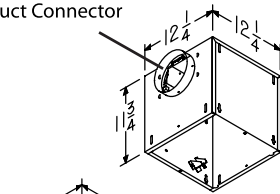
## Ceiling Ventilators Lo-Sone Ventilators



FANS

Stock #	Model #	Nominal CFM	Sones	Optional Wall Cap Model	Optional In-Line Adaptor
147-100	L100	100	1.0	641	961-L (Stock #147-961)
147-150	L150	150	1.6	641	961-L (Stock #147-961)
147-200	L200	200	1.7	643	981-L (Stock #147-981)
147-250	L250	250	2.7	643	981-L (Stock #147-981)
147-300	L300	300	2.9	643	981-L (Stock #147-981)
147-400	L400	400	2.3	441	N/A
147-500	L500	500	3.3	441	N/A

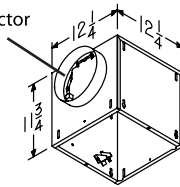
6" Round Duct Connector



POLYMERIC GRILLE  
Models- L100, L150



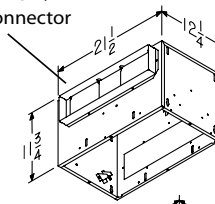
8" Round Duct Connector



POLYMERIC GRILLE  
Models- L200, L250, L300



4-1/2" x 18-1/2" Duct Connector



METAL GRILLE  
Models- L400, L500



IN-LINE ADAPTOR KIT  
Model #961-L

IN-LINE ADAPTOR KIT  
Model #981-L

With Optional Metal Grille Or In-Line Adaptor

## Paddle Fans Heavy-Duty, Commercial Ceiling Fans



Stock #	Model #	Blade Sweep	V / PH	Cycle	Full Load Amps	Full Load Watts	RPM	Max CFM	Area Coverage	Weight
246-251	48201	48"	120/1	50/60	.85	86	315	21,000	2025 sq. ft.	22 lbs.



**"Secondary Support" Cable**  
Standard Equipment



### Exclusive Leading Edge Features:

- The most powerful motors in the industry providing maximum air velocity for both summer cooling and winter heat destratification.
- The only fans in the industry with documented university tested area coverage.
- Secondary support cable is standard equipment on all models in compliance with, (CSA C22.2)
- The only line of commercial ceiling fans meeting the U.L. requirements for low ceiling applications.

Designed for commercial facilities such as school classrooms, offices, retail stores and restaurants.

*\* Ceiling fans should be installed by a qualified installer.*

**One Easy Number: (952) 929-1618**

# Draft Inducers

## Side Wall Venting Systems

TJERNLUND PRODUCTS, INC.



# A

FANS

Model# HSJ (Tjernlund)				Max. Pipe Length (FT) At Stack Temp.		
				Gas Fired		Oil Fired
Stock #	Description	Vent Pipe DIA.	BTU / HR Input	300°F	400°F	500°F
188-028	Power Venter	4"	50,000	100'	100'	100'
			75,000	100'	100'	100'
			100,000	100'	100'	—
			125,000	35'	23'	—

Model# HS1 (Tjernlund)				Max. Pipe Length (FT) At Stack Temp.		
				Gas Fired		Oil Fired
Stock #	Description	Vent Pipe DIA.	BTU / HR Input	300°F	400°F	500°F
188-029	Power Venter	4"	150,000	100'	60'	35'
			200,000	87'	57'	27'
			250,000	40'	12'	—
			300,000	4'	—	—
SAME	SAME	6"	SAME	100'	100'	100'
				100'	100'	100'
				100'	92'	—
				30'	—	—

Model# HS2 (Tjernlund)				Max. Pipe Length (FT) At Stack Temp.		
				Gas Fired		Oil Fired
Stock #	Description	Vent Pipe DIA.	BTU / HR Input	300°F	400°F	500°F
188-030	Power Venter	6"	350,000	100'	100'	100'
			400,000	100'	100'	100'
			450,000	100'	100'	67'
			500,000	100'	72'	—
			550,000	94'	—	—
			600,000	15'	—	—
SAME	SAME	8"	SAME	100'	100'	100'
				100'	100'	100'
				100'	100'	100'
				100'	—	—
				67'	—	—

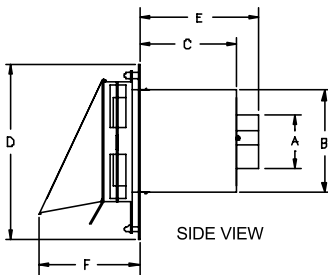
**A****HS3 (Tjernlund)**

Max. Pipe Length (FT) At Stack Temp.

Stock #	Description	Vent Pipe DIA.	BTU / HR Input	100% Dilution, 300°F	25% Dilution, 400°F
				Gas Fired Atmospheric With Draft Hood Or Draft Diverter	Gas Fired Power Burner With Barometric Draft Control
				188-006	Power Venter
SAME	SAME	10"	SAME	100' 100' 100' 21'	SAME

**Model# VH1-4 & 6 (Tjernlund)**

			Dimensions							
Stock #	Model #	Description	A DIA.	B	C	D	E	F	G	Rough-In Dimensions
188-014	VH1-6	6" Vent Hood	6"	8-1/2" DIA.	7-7/8"	12"	9-1/2"	10-1/2"	10"	9" DIA.
188-016	VH1-4	4" Vent Hood	4"	7-1/2" SQ.	7-1/8"	13"	8-5/8"	7-3/8"	11"	8" SQ.

**VH1 Series****Model# UC1 Controller (Tjernlund)**

Stock #	Model #	Description
188-050	UC1	Universal Controller

**Model# MAC1E Controller (Tjernlund)**

Stock #	Model #	Description
188-051	MAC1E	Multiple Appliance Controller



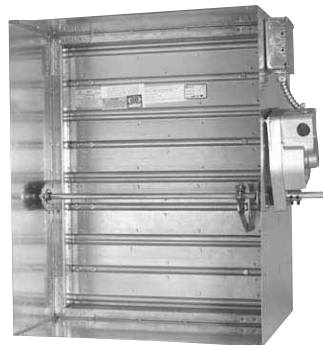


# Combination Fire/Smoke Dampers

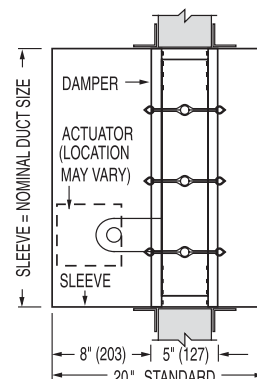
## Airfoil Blade Damper Kits– Model# 1221



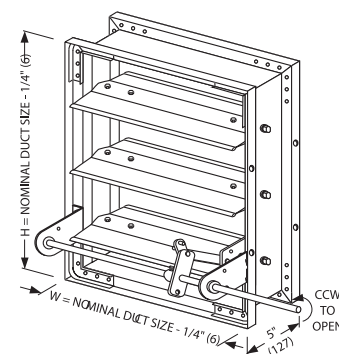
Stock #	Damper Size
113-900	8" x 8"
113-910	10" x 10"
113-920	12" x 12"
113-930	14" x 14"
113-940	16" x 16"
113-945	18" x 18"
113-955	20" x 20"
113-970	24" x 24"
113-950	16" x 8"
113-960	24" x 12"



Model #1221



Type A Sleeve



1-1/2 Hour Label

### Qualifications:

- UL 555 CLASSIFIED DYNAMIC FIRE DAMPER 1-1/2 hr. Label (File #9492)
- UL 555S CLASSIFIED SMOKE DAMPER (File #9492) leakage class II at 250°F elevated temperature.
- Meets NFPA 90A, NFPA 92A, BOCA, SBCCI, UBC and IBC requirements
- Maximum velocity 2000 fpm
- Quick-Set Angles come supplied with the product and may be used in lieu of conventional retaining angles on all Nailor Fire and Combination Fire/Smoke Dampers

**B**

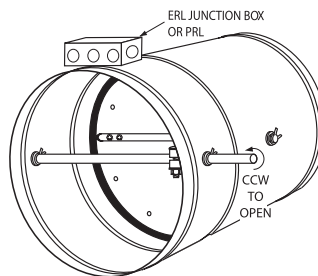
LIFE SAFETY DAMPERS

# Combination Fire/Smoke Dampers (Round)

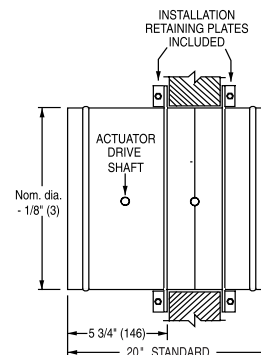
## Model# 1290FS



Stock #	Size
113-905	8"
113-923	10"
113-925	12"



Model #1290FS



### Qualifications:

- UL 555 CLASSIFIED DYNAMIC FIRE DAMPER 1-1/2 hr. Label (File #9492)
- UL 555S CLASSIFIED SMOKE DAMPER (File #9492) leakage class I at 250°F elevated temperature.
- Meets NFPA 90A, NFPA 92A, BOCA, SBCCI, UBC and IBC requirements
- Maximum velocity 2000 fpm @ 4"w.g.

# Curtain Fire Dampers & Fusible Links

## Models 0110 & 0130 Series

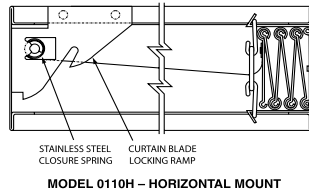
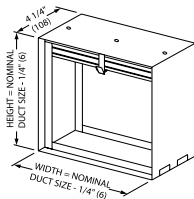


**B**

**LIFE SAFETY DAMPERS**

Stock #	Damper Size	Stock #	Damper Size
113-060	6" x 4"	113-143	14" x 8"
113-061	6" x 6"	113-144	14" x 10"
113-081	8" x 4"	113-145	14" x 12"
113-082	8" x 6"	113-146	14" x 14"
113-083	8" x 8"	113-161	16" x 6"
113-101	10" x 4"	113-162	16" x 8"
113-102	10" x 6"	113-163	16" x 10"
113-103	10" x 8"	113-164	16" x 12"
113-104	10" x 10"	113-165	16" x 14"
113-121	12" x 4"	113-166	16" x 16"
113-122	12" x 6"	113-181	18" x 6"
113-123	12" x 8"	113-182	18" x 8"
113-124	12" x 10"	113-183	18" x 10"
113-126	12" x 12"	113-184	18" x 12"
113-141	14" x 4"	113-186	18" x 14"
113-142	14" x 6"	113-187	18" x 16"

Stock #	Damper Size	Stock #	Damper Size
113-185	18" x 18"	113-252	24" x 20"
113-201	20" x 6"	113-247	24" x 24"
113-202	20" x 8"	113-220	26" x 12"
113-203	20" x 10"	113-251	28" x 8"
113-204	20" x 12"	113-230	28" x 10"
113-207	20" x 14"	113-254	30" x 8"
113-205	20" x 16"	113-250	30" x 10"
113-208	20" x 18"	113-249	30" x 12"
113-206	20" x 20"	113-248	30" x 14"
113-241	24" x 6"	113-253	30" x 16"
113-242	24" x 8"	113-255	30" x 18"
113-243	24" x 10"	113-260	36" x 10"
113-244	24" x 12"	113-257	36" x 12"
113-240	24" x 14"	113-258	36" x 14"
113-245	24" x 16"	113-259	36" x 16"
113-246	24" x 18"	113-256	36" x 18"



**Type "A" Model #0110H**

### Standard Specifications:

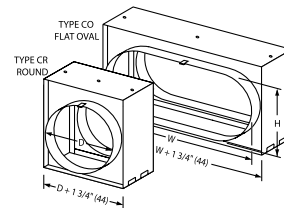
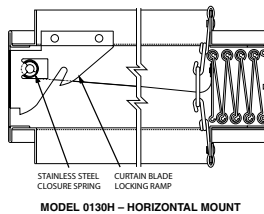
- FRAME:** 4-1/4" (108) wide, 22 ga. (0.85) roll-formed G60, galvanized steel.
- BLADES:** Curtain type interlocking blades, 22 ga. (0.85), roll-formed, G60 galvanized steel.
- FUSIBLE LINK:** 165°F (74°C) standard, UL Listed, 212°F (100°C) available.

### Note:

- Units are manufactured 1/4" (6) under nominal duct size.
- Building code and UL Classification require damper installation in accordance with manufacturer's instructions.

## Model# 0130 (Nailor)

Stock #	Size
113-504	4"
113-506	6"
113-508	8"
113-510	10"
113-512	12"



**Model #0130H**

### Qualifications:

- UL 555 CLASSIFIED FIRE DAMPER 1-1/2 hr. Label (File #9492)
- Meets all the requirements of UL and NFPA 90A for fire dampers in static HVAC systems.
- Meets the requirements for BOCA, SBCCI, UBC, IBC and associated local building codes.
- California State Fire Marshal Listing No. 03225-0935:100.
- City of New York Board of Standards and Appeals. Cal. No. 460-88-SA.

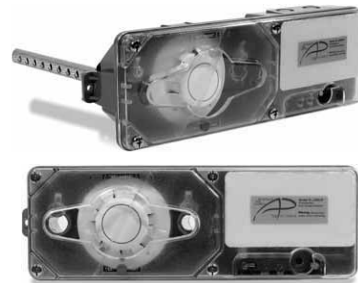


# Smoke Detectors & Accessories



## Model Series SL-2000

Stock #	Model #	Description
113-906	SL-2000-P	Photoelectric Smoke Detector 230VAC, 115VAC, 24VAC, 24VDC
113-912	SL-2000-N	Ionization Type Head 230VAC, 115VAC, 24VAC, 24VDC ( Must be ordered with part #113906 )



**B**

LIFE SAFETY DAMPERS



CSFM LISTED

MEA ACCEPTED



### Product Application:

The SL-2000 Series Smoke Duct Detector is the latest innovation for early detection of smoke and products of combustion present in air moving through HVAC ducts in Commercial, Industrial, and Residential applications. The unit is designed to prevent the recirculation or spread of smoke by air handling systems, fans, and blowers. Complete systems may be shut down in the event of smoke detection. The SL-2000 is designed and built to meet all local code requirements, as well as the NFPA and ICC standards regarding HVAC supply and return duct smoke detectors. Output terminals are provided for a wide range of remote accessories such as horns, strobes, remote status indicators, and test/reset key switches or push buttons.

## Model Series STN

Stock #	Model #	Description
113-907	STN-1.0	10" Sampling Tube
113-908	STN-2.5	30" Sample Tube
113-909	STN-5.0	60" Sampling Tube

## Model MS-RA/P/R

Stock #	Model #	Description
113-911	MS-RA/P/R	Remote Alarm Panel with Alarm Indicator Light, Pilot Indicator Light and Push Button Test/Reset



### Product Application:

The MS Series remote accessories are designed to be used with the Air Products and Controls Duct Smoke Detectors to provide audible and visual indication as well as remote test/reset functions. These devices are constructed of attractive, yet durable brushed stainless steel and mount on a standard single or double gang electrical backbox.



CSFM LISTED

MEA ACCEPTED



# Smoke Detectors & Accessories Continued

## Model MS-RA/P/R

Stock #	Model #	Description
113-913	TG-2000	Test Gas for Smoke Detector

### Product Application:

Test Gas w/Test Port Nozzle for SL-2000 Series.



**B**

LIFE SAFETY DAMPERS

**B**

**LIFE SAFETY DAMPERS**

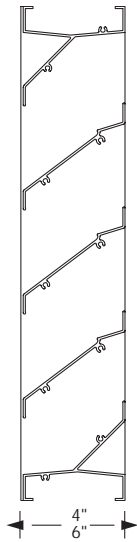
**B**

**LIFE SAFETY DAMPERS**

# Louvers

## Model# EFJ-437

# POTTORFF®



### Application & Features:

The EF-J437 is a weather louver designed to protect the outside opening of building exterior walls. It may be used for exhaust or intake air.

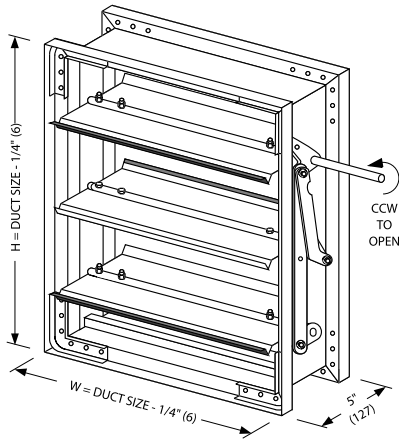


Stock #	Size
247-201	12" x 12"
247-202	14" x 14"
247-203	16" x 8"
247-204	16" x 16"
247-205	18" x 18"
247-206	20" x 20"
247-207	24" x 12"
247-208	24" x 24"
247-209	30" x 30"
247-210	32" x 16"
247-211	32" x 32"
247-212	36" x 24"
247-213	36" x 36"
247-214	48" x 24"
247-215	48" x 48"

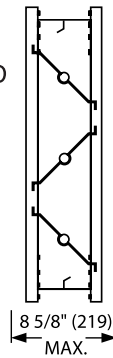
\*\*\* Dimensions finished 1/2 inch undersized. All stock mill finished. \*\*\*

# Control Dampers

## Low Leakage, Model# 1020



MODEL 1020  
OPPOSED  
BLADE



Stock #	Size
113-860	16" x 8"
113-861	10" x 10"
113-862	12" x 12"
113-863	14" x 14"
113-864	16" x 16"
113-865	18" x 18"
113-866	20" x 20"
113-867	24" x 12"
113-868	24" x 24"
113-869	30" x 30"
113-870	32" x 16"
113-871	32" x 32"
113-872	36" x 24"
113-873	36" x 36"
113-874	48" x 24"
113-875	48" x 48"

### STANDARD CONSTRUCTION:

**FRAME:** 5" x 7/8" x 16 ga. (127 x 22 x 1.6) galvanized steel hat channel with die-formed corner gussets. Low profile (flat top and bottom) on dampers 10" (254) high and under.

**BLADES:** 6" (152) wide on 5 1/2" (140) centers. 16 ga. (1.6) galvanized steel triple-vee design. Parallel or opposed action.

**LINKAGE:** Concealed type totally enclosed within the frame and out of the airstream. Plated steel.

**BEARINGS:** 1/2" (13) dia. Celcon®.

**AXLES:** 1/2" (13) dia. plated steel double bolted to blades.

**DRIVE SHAFT:** Lock-on drive shaft.

**BLADE SEALS:** Dual durometer bulb type extruded PVC.

**JAMB SEALS:** Compression type cambered metal.

# Spring Return Actuators

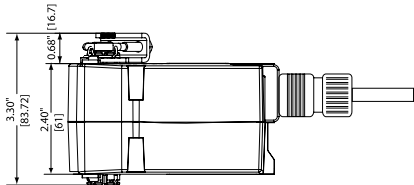
Series- AF, NF, LF & TF



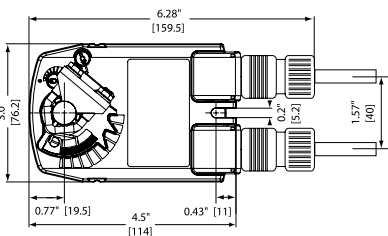
LOUVERS & DAMPERS



**TF Spring Return Actuator**



- Standard:**
- 1/4" to 1/2"
  - 1/4" to 5/16"

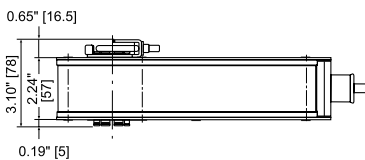


Stock #	Model	Damper Size (Sq. Ft.)
165-032	AF120 – 120V 133 in-lb torque	26
165-033	AF120-S – 120V 133 in-lb torque with end switch	26
165-022	AF24 – 24V 133 in-lb torque	26
165-023	AF24-S – 24V 133 in-lb torque with end switch	26
165-030	NF120 – 120V 60 in-lb torque	10
165-031	NF120-S – 120V 60 in-lb torque with end switch	10
165-020	NF24 – 24V 60 in-lb torque	10
165-021	NF24-S – 24V 60 in-lb torque with end switch	10
165-026	LF120 – 120V 35 in-lb torque with end switch	6
165-025	LF24 – 24V 35 in-lb torque	6
165-015	TF24 18 in-lb torque	3.5
165-016	TF120 18 in-lb torque with end switch	3.5
165-017	TF24-S 18 in-lb torque with end switch	3.5
165-018	TF120-S 18 in-lb torque	3.5

**LF Spring Return Actuator**

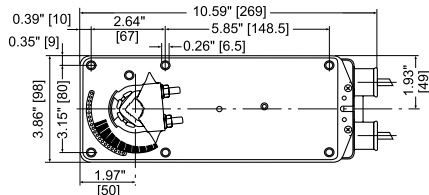
**NF/AF Spring Return Actuator**

- K4-2 US (supplied)**
- 1/2" Centered (Default)
  - 3/4" Centered (Field Selectable)
  - 1.05" Centered (Field Selectable)



- K4-1 US (optional)**

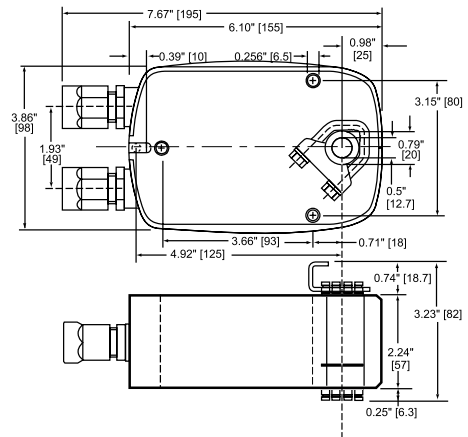
- 3/4" to 1.05" Adjustable



- K4 US (optional)**

- 3/8" to 3/4" Adjustable

- Standard:**
- 3/8" to 1/2"
  - 3/8" to 7/16"
- Optional**
- 1/2" to 3/4" w/K6-1 accessory

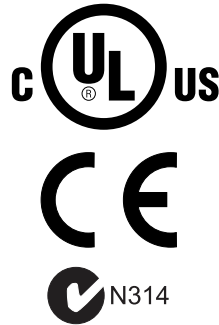


# Fire/Smoke Control Actuators

Model# MS

# Honeywell

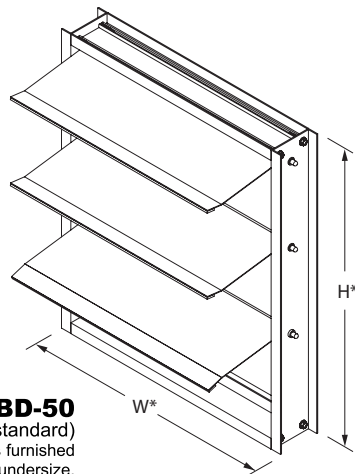
Stock #	Model	Rotation
113-903	MS4209F	CW
113-904	MS4309F	CCW



# Backdraft Dampers

Model# BD-50

# POTTORFF®



Model **BD-50**  
(standard)  
\*Damper dimensions furnished  
approximately 1/4" (6) undersize.

Stock #	Damper Size
113-808	8" x 8"
113-810	10" x 10"
113-812	12" x 12"
113-814	14" x 14"
113-816	16" x 16"
113-818	18" x 18"
113-820	20" x 20"
113-824	24" x 24"

LOUVERS & DAMPERS

# Round Backdraft Dampers

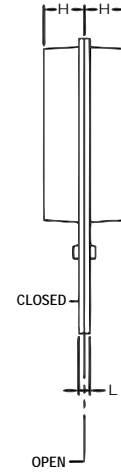
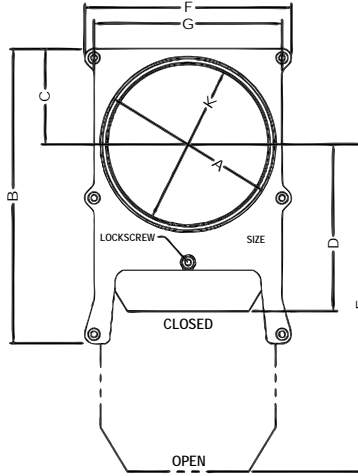


Stock #	Description
113-400	04" Round Backdraft Damper
113-500	05" Round Backdraft Damper
113-600	06" Round Backdraft Damper
113-700	07" Round Backdraft Damper
113-800	08" Round Backdraft Damper
113-100	10" Round Backdraft Damper
113-120	12" Round Backdraft Damper
113-140	14" Round Backdraft Damper



# Full Blast Gate Cut-offs

## 319 Aluminum Alloy



LOUVERS & DAMPERS

Stock #	Size	A	B	C	D	E	F	G
909-003	3"	3"	5-5/8"	1-2/3"	6-1/4"	4"	2-5/8"	1-1/8"
909-004	4"	3-7/8"	6-7/8"	2-3/8"	7-1/2"	5"	3-1/2"	1-1/4"
909-005	5"	4-7/8"	8"	3"	9-1/4"	6"	4-1/2"	1-3/8"
909-006	6"	5-7/8"	10"	3-1/4"	12"	7"	5-1/2"	1-3/8"
909-007	7"	6-7/8"	11"	3-3/4"	12"	8"	6-1/2"	1-1/2"
909-008	8"	7-7/8"	12"	4-1/2"	14"	9-1/4"	7-1/2"	1-3/4"
909-010	10"	9-3/4"	14-3/8"	5-3/4"	18"	11-1/4"	9-4/9"	1-7/8"
909-012	12"	11-3/4"	16-1/4"	6"	21-1/4"	13-1/4"	11-1/2"	2"







# Gas Fired Unit Heaters

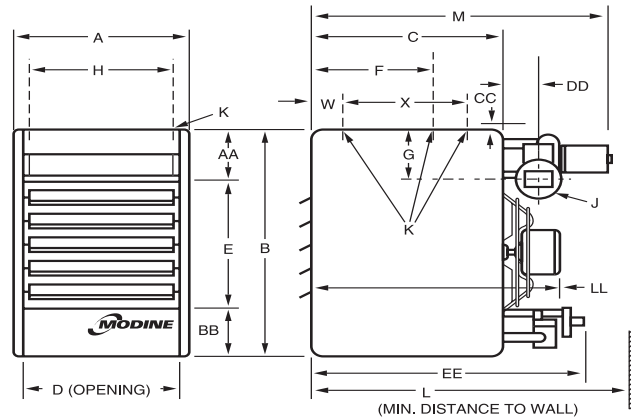
## Power Vented, Electronic Ignition, Series-PDP



Stock #	Description
245-030	PDP30 – 30 MBH Input, Natural Gas
245-050	PDP50 – 50 MBH Input, Natural Gas
245-075	PDP75 – 75 MBH Input, Natural Gas
245-100	PDP100 – 100 MBH Input, Natural Gas
245-125	PDP125 – 125 MBH Input, Natural Gas
245-150	PDP150 – 150 MBH Input, Natural Gas
245-175	PDP175 – 175 MBH Input, Natural Gas
245-200	PDP200 – 200 MBH Input, Natural Gas
245-250	PDP250 – 250 MBH Input, Natural Gas
245-300	PDP300 – 300 MBH Input, Natural Gas



\*\*\* LP Kits are available and in stock. \*\*\*



D

Heaters

### Dimensions (inches) — PDP

Dimension Symbol	Model Number											
	PDP 30	PDP 50	PDP 75	PDP 100	PDP 125	PDP 150	PDP 175	PDP 200	PDP 250	PDP 300	PDP 350	PDP 400
A	12-7/8	17-1/4	17-1/4	19-1/4	19-1/4	21	23-1/2	25-5/8	25-5/8	28-5/8	33-5/8	40
B	24-1/4	24-1/4	28-3/4	28-3/4	35-1/4	35-1/4	35-1/4	40-1/4	40-1/4	40-1/4	40-1/4	40-1/4
C	14-3/4	14-3/4	20	20	22	22	22	25	25	25	25	25
D	10-7/16	14-13/16	14-13/16	16-13/16	16-13/16	18-9/16	21-1/16	23-3/16	23-3/16	26-3/16	31-3/16	37-1/2
E	13	13	16	16	20	20	20	24	24	24	24	24
F	9-1/4	9-1/4	11	11	12	12	12	13-1/2	13-1/2	14	-	-
G	5-1/2	5-1/16	5-11/16	5-11/16	7-5/8	6-9/16	6-9/16	7-1/2	7-1/2	7-1/2	7-1/2	7-1/2
H	9-1/4	13-5/8	13-5/8	15-5/8	15-5/8	17-3/8	19-7/8	22	22	25	30	36-3/8
J ②	3 or 4	3 or 4	4	4	4	5	5	5	6	6	6	6
K (Mounting Holes) ③	3/8-16	3/8-16	3/8-16	3/8-16	3/8-16	3/8-16	3/8-16	3/8-16	3/8-16	3/8-16	3/8-16	3/8-16
L ④	28-7/16	30-3/8	33-1/16	33	36-3/4	35-13/16	35-9/16	40-3/4	40-3/4	40-3/4	40-3/4	44-3/16
M	22-7/16	24-3/8	27-1/16	27	30-3/4	29-13/16	29-9/16	34-3/4	34-3/4	34-3/4	34-11/16	38-3/16
W	-	-	-	-	-	-	-	-	-	-	5	5
X	-	-	-	-	-	-	-	-	-	-	16	16
AA	5	5	6-1/4	6-1/4	8	8	8	9	9	9	9	9
BB	6-1/4	6-1/4	6-1/2	6-1/2	7-1/4	7-1/4	7-1/4	7-1/4	7-1/4	7-1/4	7-1/4	7-1/4
CC	11/16	1-1/8	5/8	5/8	-	-	-	-	-	-	-	-
DD	2-5/8	4-9/16	2	2	2-3/4	2-3/4	2-3/4	3-3/8	3-3/8	3-3/8	3-3/8	6-13/16
EE	22-1/4	22-1/4	29	29	30-1/2	30-1/2	30-1/2	32-7/8	32-7/8	32-7/8	32-7/8	32-7/8
LL	19-1/2	20-1/8	30	30	30	31-1/8	31-1/8	34-7/8	34-7/8	36-1/4	35-1/2	40-1/2
Gas Connections ⑤	1/2	1/2	1/2	1/2	1/2	1/2	1/2	1/2	1/2	1/2	3/4	3/4
Fan Diameter	9	12	12	14	14	16	18	20	20	22	22	24
Approx. Weight	64	78	108	122	162	168	175	239	239	269	338	418

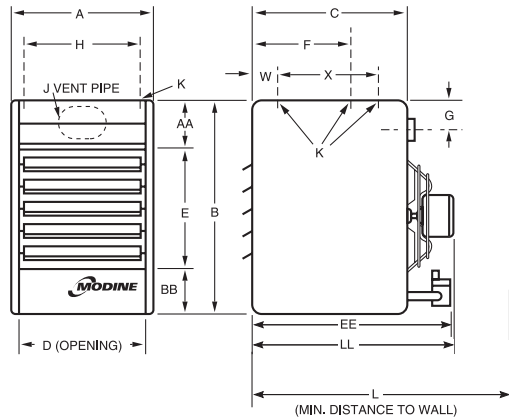
# Gas Fired Unit Heaters (Standing Pilot) Gravity Vented, Series-PD



Stock #	Description
244-030	PD30 – 30 MBH Input, Natural Gas
244-050	PD50 – 50 MBH Input, Natural Gas
244-075	PD75 – 75 MBH Input, Natural Gas
244-105	PD100 – 100 MBH Input, Natural Gas
244-125	PD125 – 125 MBH Input, Natural Gas
244-145	PD150 – 150 MBH Input, Natural Gas
244-170	PD175 – 175 MBH Input, Natural Gas
244-200	PD200 – 200 MBH Input, Natural Gas
244-250	PD250 – 250 MBH Input, Natural Gas
244-300	PD300 – 300 MBH Input, Natural Gas
244-350	PD350 – 350 MBH Input, Natural Gas
244-400	PD400 – 400 MBH Input, Natural Gas



\*\*\* LP Kits are available and in stock. \*\*\*



## Dimensions (inches) — PD

Dimension Symbol	Model Number											
	PD 30	PD 50	PD 75	PD 100	PD 125	PD 150	PD 175	PD 200	PD 250	PD 300	PD 350	PD 400
A	12-7/8	17-1/4	17-1/4	19-1/4	19-1/4	21	23-1/2	25-5/8	25-5/8	28-5/8	33-5/8	40
B	24-1/4	24-1/4	28-3/4	28-3/4	35-1/4	35-1/4	35-1/4	40-1/4	40-1/4	40-1/4	40-1/4	40-1/4
C	14-3/4	14-3/4	20	20	22	22	22	25	25	25	25	25
D	10-7/16	14-13/16	14-13/16	16-13/16	16-13/16	18-9/16	21-1/16	23-3/16	23-3/16	26-3/16	31-3/16	37-1/2
E	13	13	16	16	20	20	20	24	24	24	24	24
F	9-1/4	9-1/4	11	11	12	12	12	13-1/2	13-1/2	14	—	—
G	2	2	2-3/4	2-3/4	3-5/8	3-5/8	3-5/8	4-3/8	4-3/8	4-3/8	4-1/4	4-1/4
H	9-1/4	13-5/8	13-5/8	15-5/8	15-5/8	17-3/8	19-7/8	22	22	25	30	36-3/8
J <sup>②</sup>	3	4	5	6	6	7	7	7	8	9	10	10
K (Mounting Holes) <sup>③</sup>	3/8-16	3/8-16	3/8-16	3/8-16	3/8-16	3/8-16	3/8-16	3/8-16	3/8-16	3/8-16	3/8-16	3/8-16
L <sup>④</sup>	28-1/4	28-1/4	36	36	36-1/2	37-1/8	37-1/8	40-7/8	41	42-1/4	42-1/4	47-1/4
W	—	—	—	—	—	—	—	—	—	—	5	5
X	—	—	—	—	—	—	—	—	—	—	16	16
AA	5	5	6-1/4	6-1/4	8	8	8	9	9	9	9	9
BB	6-1/4	6-1/4	6-1/2	6-1/2	7-1/4	7-1/4	7-1/4	7-1/4	7-1/4	7-1/4	7-1/4	7-1/4
EE	22-1/4	22-1/4	29	29	30-1/2	30-1/2	30-1/2	32-7/8	32-7/8	32-7/8	32-7/8	32-7/8
LL	19-1/2	20-1/8	30	30	30	31-1/8	31-1/8	34-7/8	34-7/8	36-1/4	35-1/2	40-1/2
Gas Connections <sup>⑤</sup>	1/2	1/2	1/2	1/2	1/2	1/2	1/2	1/2	1/2	1/2	3/4	3/4
Fan Diameter	9	12	12	14	14	16	18	20	20	22	22	24
Approx. Weight	58#	72#	102#	116#	152#	162#	169#	231#	231#	261#	330#	410#

One Easy Number: (952) 929-1618

# Hot Dawg – Low Profile Unit Heaters

## Power Vented, Electronic Ignition, Series-HD



Stock #	Description
245-430	HD30 – 30 MBH Input, Natural Gas
245-445	HD45 – 45 MBH Input, Natural Gas
245-460	HD60 – 60 MBH Input, Natural Gas
245-475	HD75 – 75 MBH Input, Natural Gas
245-530	HD30AH0174 *Propane*
245-545	HD45AH0174 *Propane*
245-560	HD60AH0174 *Propane*
245-575	HD75AH0174 *Propane*



### Performance

Models	HD30	HD45	HD60	HD75	
Btu/Hr Input	30,000	45,000	60,000	75,000	
Btu/Hr Output	24,000	36,000	48,000	60,000	
Entering Airflow (CFM)	505	720	990	1,160	
Outlet Velocity	523	749	653	769	
Air Temp. Rise (°F)	44	46	45	48	
Mounting Height (Max ft.)	10	10	12	14	
Heat Throw (ft.)	25	27	36	38	
Motor Data	Horsepower	1/25	1/15	1/12	1/12
	RPM	1,550	1,550	1,625	1,625
	Type	S.P.	S.P.	P.S.C.	P.S.C.
	Amps	1.5	2.4	1.2	1.2
Unit Total Amps	2.8	3.7	2.5	2.5	
Vent Connector Size (in.)	3	3	3	3	

### Dimensions (inches)

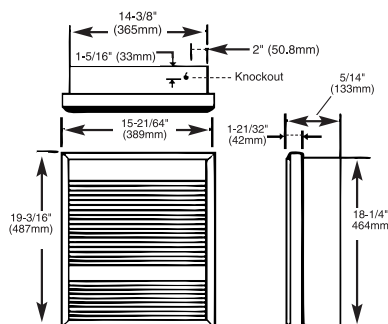
Models	HD30	HD45	HD60	HD75
A	26.8	26.8	26.8	26.8
B	12.2	12.2	18.0	18.0
C	16.5	16.5	16.5	16.5
D	14.9	14.9	14.9	14.9
E	10.1	10.1	15.9	15.9
F	7.5	7.5	10.7	10.7
G	18.5	18.5	18.5	18.5
H	7.6	7.6	7.8	7.8
Gas Connection	1/2	1/2	1/2	1/2
I	34.5	34.5	34.5	34.5
J	22	22	25	25
Fan Diameter	10	10	14	14
Approx. Shipping Weight (lbs.)	55	60	80	85



Heaters

# Architectural Electric Heaters

## Heavy-Duty, Fan Forced, Series-AWH



Stock #	Model	V/PH	Watts	Amps	Color
246-101	AWH-4404	240/208/1	4000/3000 2000/1500	16.7/14.5 7.3/7.2	Bronze
246-106	AWH-4408-NW	240/208/1	4000/3000 2000/1500	16.7/14.5 7.3/7.2	White
246-102	AWH-4508	208/1	4800	23.1	Bronze
246-107	AWH-4508-NW	208/1	4800	23.1	White

### ACCESSORIES

Stock #	Model	Description
246-103	AWHSM	Surface Mounting Frame – Bronze
246-108	AWHSM-NW	Surface Mounting Frame – White
246-104	AWHS2	2" Semi Recess Mounting Frame

\*\*\* Integrated, tamper-proof thermostat comes standard. \*\*\*

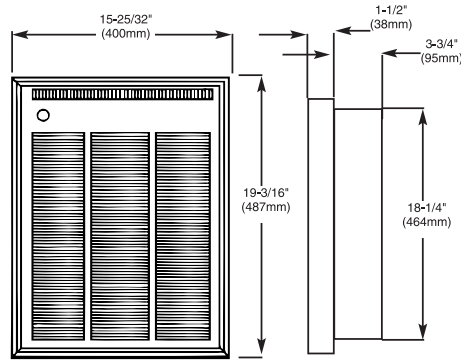


FILE #E21609



# Wall Mounted Electric Heaters

## Commercial, Fan Forced, Series-CWH



Stock #	Model	V/PH	Watts	Amps
246-153	CWH-3404	240/208/1	4000/3000	16.7/14.5
246-153	CWH-3404	240/208/1	2000/1500	8.3/7.2
Accessories				
Stock #	Model	Description		
246-156	CWH3SM	Surface Mounting Frame		
246-157	CWH3S2	2" Semi Recess Mounting Frame		
Stock #	Model	V/PH	Watts	Amps
246-151	CWH-1202DS	240/1	2000/1000	8.4/4.2
246-151	CWH-1202DS	208/1	1500/750	7.3/3.61
Accessories				
Stock #	Model	Description		
246-154	CWHSM	Surface Mounting Frame		
246-155	CWHS2	2" Semi Recess Mounting Frame		

For supplementary heating of offices, reception rooms, game rooms, family rooms and similar light-duty commercial and residential applications.

- 1500, 2000, 3000, 4000 and 4800 watts; 208, 240 and 277 volts; 60Hz.
- Integral thermostat for quick installation...separate thermostat not necessary (Range: 40°-90°F).
- Fan only operation for summer use.
- Thermal overheat protector disconnects power in event of overheating due to accidental blockage.
- Built-in power disconnect switch for added safety during maintenance.
- Built-in fan delay switch energizes fan motor only after elements are heated, preventing discharge of unheated air. When heat stuffs off, de-energized fan motor after residual heat has been dissipated.
- Permanently lubricated, totally enclosed fan motor provides long life and low maintenance; gently distributing warmth throughout room area. (100CFM)
- Front cover is finished in Northern White baked enamel. A hole plug is provided for tamper resistant installations.

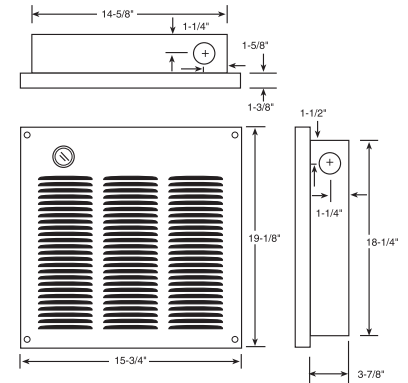
# Wall Mounted Electric Heaters

## High Capacity, Fan Forced, Series-LFK

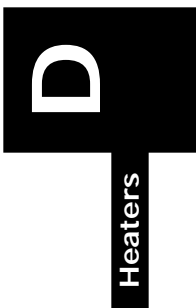


Stock #	Model	V/PH	Watts	Amps
246-501	LFK-404	240/1	4000	16.7

QMark's high-capacity, heavy-duty fan-forced wall heaters are designed for use almost anywhere in residential, commercial or industrial areas requiring electric fan forced heaters in 2000 to 4800 watt capacities. They perform exceptionally well in such applications as motels, entryways, playrooms, basements, workshops, garages, stores and similar large areas.



FILE #E21609



### Other Features:

- **Thermal Cutout-** A thermal cutout shall be built into the system to shut off the heater in the event of overheating.
- **Black Box-** The back box shall be designed for duty as a recessed rough-in box in either masonry or frame installations. The back box shall be commercial grade galvanized steel and shall contain knockouts through which power leads are brought.
- **Front Cover-** The louvered front cover shall be of commercial grade steel finished in White powder coat.
- **Finish-** All sheet metal parts, except the back box, shall be phosphatized, and then completely painted by a powder coat paint process.

# Modular Unit Electric Heaters

## Series-MUH



Stock #	Model	V/PH	KW	Amps
246-201	MUH-0381	208/1	3	14.5
246-202	MUH-0581	208/1	5	24.0
246-203	MUH-0781	208/1	7.5	36.0
Accessories				
Stock #	Model	Description		
246-206	MMB-10	Universal Mounting Bracket		
246-204	MT-1	Single Pole Thermostat		
246-205	MT-2	2 Stage Thermostat		



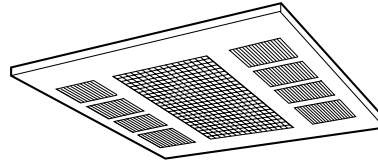
FILE #E21609

# Electric Ceiling Heaters

## Surface & Recessed Mount, Series-CDF



Stock #	Model	V/PH	KW	Amps
246-551	CDF-548	208/1	4/3/2	13.7/10.2/6.8
246-552	CDF-557	277/1	5/3.8/2.5	17.1/13/8.5
Accessories				
Stock #	Model	Description		
246-553	CDFT	Thermostat		
246-554	CDFRE	Recess Mounting Enclosure		



**Recessed Mount**



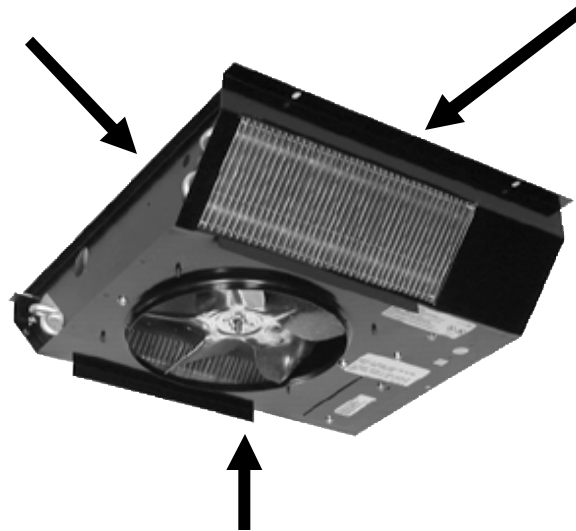
FILE #E21609

### Phosphatized, Baked Enamel Finish:

All sheet metal and extruded aluminum parts, except the back box, are phosphatized, then finished by a baked enamel electrostatic painting process.

### Elements:

Steel fins are copper-brazed to low-watt density, steel-sheathed, tubular heating elements which are arranged in a uniform grid pattern. The grid covers the entire intake area, resulting in uniform heating of all discharged air.



### Efficient Operation:

The five-bladed aluminum fan and the rugged impedance protected, totally-enclosed motor, achieve efficient operation.

### SURFACE ENCLOSURE:

The surface mounting plate shall be designed for duty as a rough-in box on masonry, T-Bar or frame ceiling construction. The surface mounting plate shall be 20 gauge galvanized steel and shall contain knockouts through which field wiring leads are brought. Enclosure to extend a maximum of 6 inches into the heated space. The louvered surface wrapper shall be a contoured aluminum extrusion and 20 gauge sheet metal combination with rounded corners. The surface wrapper shall be electrostatically painted Navajo White by a baked enamel process.



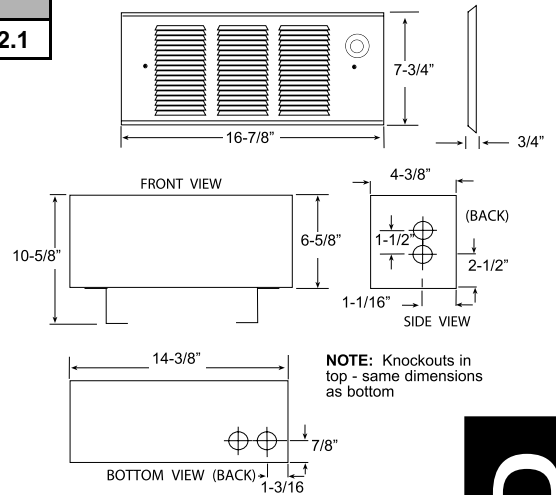
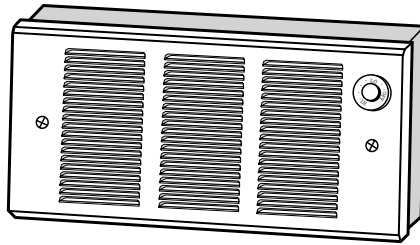


# Electric Heaters "CLIP 'N' FIT"® Design

## Fan Forced, Wall Mount, Model# GFR1524T2



Stock #	Model	V/PH	Watts	Amps
246-451	GFR1524T2	240/1	2000/1500/1000/500	8.3/6.3/4.2/2.1



\*\*\* Comes with built-in thermostat. \*\*\*

# Residential Electric Heaters

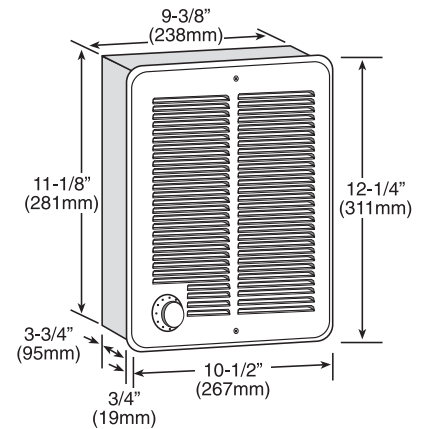
## Fan Forced, Zonal, Series-CRA



Stock #	Model	V/PH	Watts	Amps
246-401	CRA1524T2	208/240/1	1125/1500	6.3/5.4
246-402	CRA2024T2	208/240/1	1500/2000	8.3/7.2

### Main Features:

- Fast-response coil element assures quick heat and low maintenance.
- Three piece construction for ease of installation.
- European Styling: Sleek rounded corners.
- Dual Protection: Thermal cutout with indicator light and one time thermal fuse.
- Northern white finish.
- 500-1000 watt units are approved for ceiling mount.



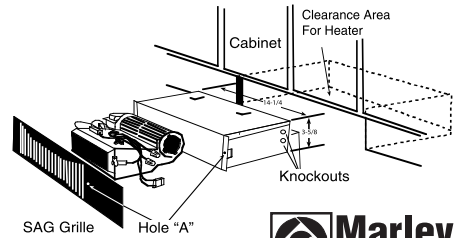
Heaters

# Toe Space Electric Heaters

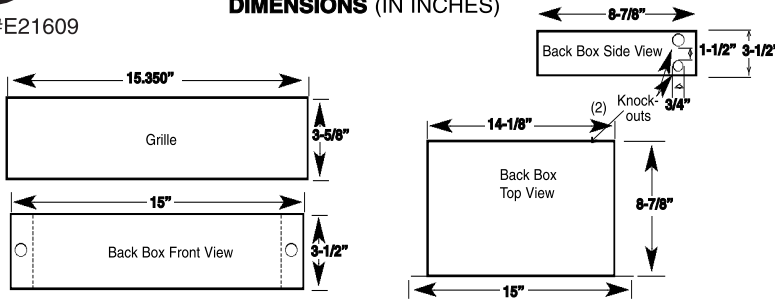
## Fan Forced, Series-QTS



Stock #	Model	V/PH	Watts	Amps
246-351	QTS-1500T	120/1	1500/750	12.5/6.3
246-352	QTS-1504T	208/240/1	1500/750/1125/564	6.3/3.1/5.4/2.7



### DIMENSIONS (IN INCHES)



### Features:

- Multiple wattages.
- Four models.
- Steel plate fin element.
- Built-in or remote thermostat models.
- Thermal cutout.
- Quiet, tangential blower.



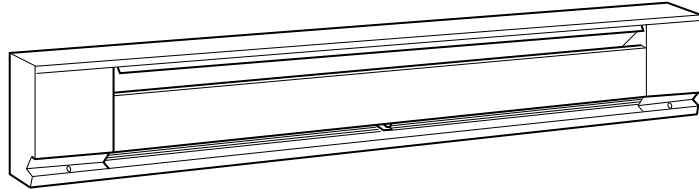
Heaters

# Baseboard Electric Heaters

## Series-2500



Stock #	Model	V/PH	Watts
246-301	2544W	240/1	1000
246-302	2546W	240/1	1500
246-303	2548W	240/1	2000
246-304	2514W	120/1	1000
246-305	2516W	120/1	15000



### Accessories

Stock #	Model	Description
246-306	TA1AW	Single Pole Thermostat



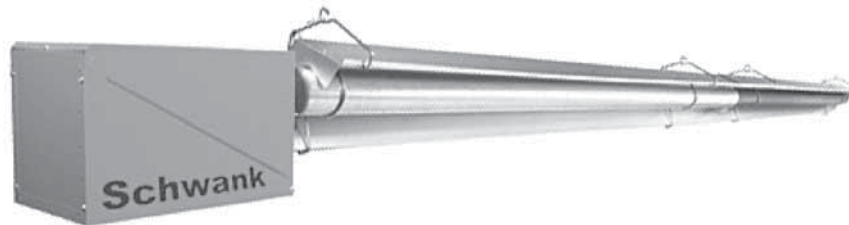
File #E37116

# Low-Intensity Infra-Red Tube Heaters

Model# STS-JZ



Stock #	Burner Size	Tube Length	Stock #	Burner Size	Tube Length
243-060	60 MBH, Natural Gas	20 FT	243-112	110 MBH, Natural Gas	40 FT
243-061	60 MBH, LP Gas	20 FT	243-113	110 MBH, LP Gas	40 FT
243-080	80 MBH, Natural Gas	30 FT	243-130	130 MBH, Natural Gas	40 FT
243-081	80 MBH, LP Gas	30 FT	243-131	130 MBH, LP Gas	40 FT
243-082	80 MBH, Natural Gas	40 FT	243-132	130 MBH, Natural Gas	50 FT
243-083	80 MBH, LP Gas	40 FT	243-133	130 MBH, LP Gas	50 FT
243-110	110 MBH, Natural Gas	30 FT	243-155	155 MBH, Natural Gas	50 FT
243-111	110 MBH, LP Gas	30 FT	243-156	155 MBH, LP Gas	50 FT



D  
Heaters

# Car Wash Infra-Red Tube Heaters

Water Proof Design, Series STSP-WP



## Description:

Get the perfect combination of performance and toughness with the STSP-WP Infra-red radiant Tube Heater. It's fully certified for harsh environments such as car washes or outdoor applications. Yet the STSP-WP tube heater includes all you expect from a quality radiant heater and more. That means you receive all the features in Schwank's top-of-the-line STSP infra-red tube heaters, including the unique ten-year parts replacement warranty on the ceramic burner head and tube.

*** Why STSP-WP infra-red, radiant tube heaters outperform the competition! ***														
Features	Benefits													
Schwank ceramic burner head	Extended flame length Quiet operation Increased energy efficiency	<table border="1"> <thead> <tr> <th>Stock #</th> <th>Burner Size</th> <th>Tube Length</th> </tr> </thead> <tbody> <tr> <td>243-412</td> <td>80 MBH, Natural Gas</td> <td>20 FT</td> </tr> <tr> <td>243-413</td> <td>80 MBH, Natural Gas</td> <td>30 FT</td> </tr> <tr> <td>243-414</td> <td>110 MBH, Natural Gas</td> <td>30 FT</td> </tr> </tbody> </table>	Stock #	Burner Size	Tube Length	243-412	80 MBH, Natural Gas	20 FT	243-413	80 MBH, Natural Gas	30 FT	243-414	110 MBH, Natural Gas	30 FT
Stock #	Burner Size	Tube Length												
243-412	80 MBH, Natural Gas	20 FT												
243-413	80 MBH, Natural Gas	30 FT												
243-414	110 MBH, Natural Gas	30 FT												
Long, narrow flame	More even heat distribution													
All-aluminized steel tubes	Resists corrosion													
No left or right hand unit	Easy to design													
Air intake on top of unit	Easy installation and avoids condensate trap													
Tight seal housing	Longer component life No nuisance service calls													
Reflectors with end caps extend to bottom of tube	Improved radiant output due to increased heat entrapment													

## Applications:

- Commercial car wash
- Outdoor patio
- General outdoors
- Transit shelters
- Environments with harsh air-borne contaminants.

D

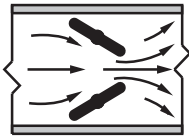
Heaters

# Variable Air Volume Boxes

## Models D3001 & P3001



Box Size	W	H	Bare Box No controls	Box with Pneumatic Controls
6" Inlet – 85 thru 500 CFM	10"	10"	113-406	113-306
8" Inlet – 180 thru 1000 CFM	12"	12 1/2"	113-408	113-308
10" Inlet – 250 thru 1435CFM	14"	12 1/2"	113-410	113-310
12" Inlet – 320 thru 2185CFM	18"	12 1/2"	113-412	113-312
14" Inlet – 470 thru 2745CFM	24"	12 1/2"	113-414	113-314
16" Inlet – 590 thru 3730CFM	28"	12 1/2"	113-416	113-316



Inclined opposed blade valve configuration minimizes noisy turbulence and provides smooth, accurate, near linear flow control.



Model 3001

### Model D3001

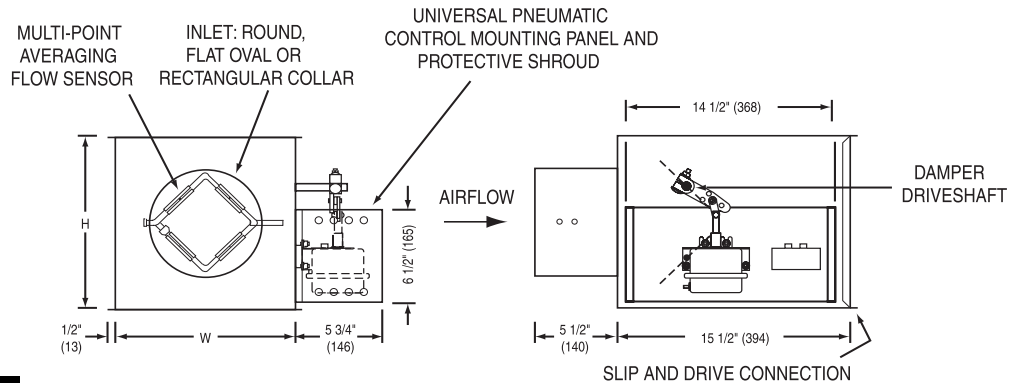
Single Duct Terminal Units– Bare Boxes  
(No Controls)

### Model P3001

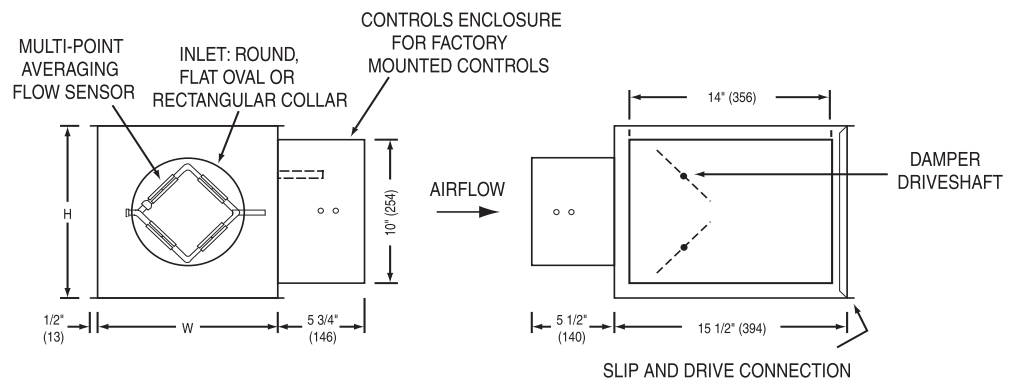
Single Duct Terminal Units– Pneumatic Controls

## Basic Unit with Controls

### Pneumatic Controls



### Analog Electronic and Digital Controls



# Hot Water Reheat Coils

## Single Duct Terminal Units (1 or 2 Row)

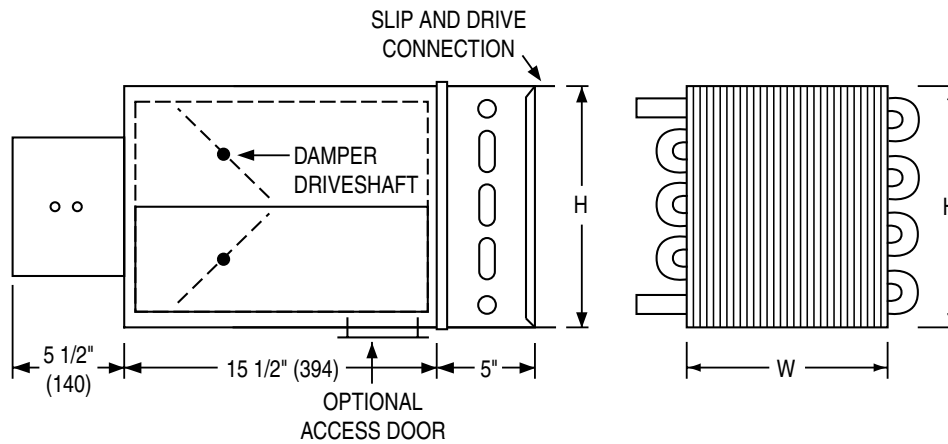
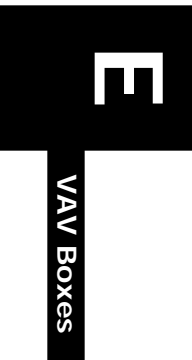


Hot Water Coil for Box Size	Coil Size	1 Row Coil Stock #	2 Row Coil Stock #
6" Inlet – 85 thru 500 CFM	10" x 10"	113-320	113-332
8" Inlet – 180 thru 1000 CFM	12" x 12½"	113-322	113-334
10" Inlet – 250 thru 1435CFM	14" x 12½"	113-324	113-336
12" Inlet – 320 thru 2185CFM	18" x 12½"	113-326	113-338
14" Inlet – 470 thru 2745CFM	24" x 12½"	113-328	113-340
16" Inlet – 590 thru 3730CFM	28" x 12½"	113-330	113-342

\*\*\* Dual Duct, Fan Powered, Low Profile, Retrofit and Bypass Terminal Units are available by custom quote. Please contact us for more information. \*\*\*

### Features:

- One, two, three and four row available.
- Hot water coils have copper tubes and aluminum ripple fins. Coils have 1/2" O.D. sweat connections. Right or left hand coil connection is determined by looking through the terminal inlet in the direction of airflow.
- Galvanized steel casing with slip and drive discharge duct connection.
- Optional low leakage gasketed access door is recommended for coil access and cleaning.
- ARI Certified.



E

VAV BOXES

E

VAV Boxes



# Air Filters

Medium Efficiency, Model# K-40



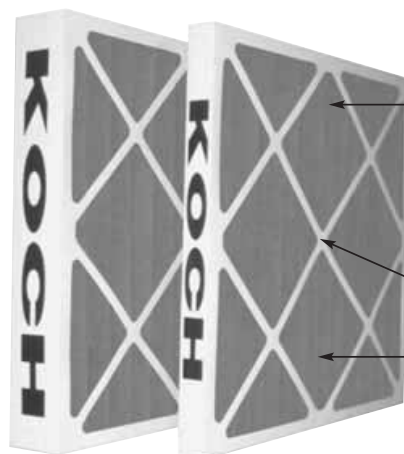
Koch Filter Corporation  
Filtration Products Crafted with Pride

## Description:

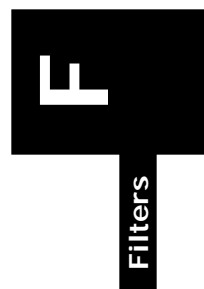
The K-40 is a medium efficiency, extended surface, pleated panel filter, designed for use in all types of residential, commercial, and industrial air filtration systems. The value-oriented design of the Series K-40 makes it the air filter of choice in applications where filters are changed according to predetermined maintenance schedules, instead of pressure gauge readings. Series K-40 filters are offered in a wide range of popular sizes, and in thicknesses of 2" and 4".

Stock #	Description
166-401	KMP240 16x20x2 Pleated Filter
166-402	KMP240 16x25x2 Pleated Filter
166-403	KMP240 20x20x2 Pleated Filter
166-404	KMP240 20x25x2 Pleated Filter
166-405	KMP440 16x25x4 Pleated Filter
166-406	KMP440 16x20x4 Pleated Filter
166-407	(AIR BEAR) 20x25x5 Pleated Filter
166-408	KMP240 14x20x2 Pleated Filter
166-409	KMP240 14x25x2 Pleated Filter
166-410	KMP240 15x20x2 Pleated Filter
166-411	KMP240 18x24x2 Pleated Filter
166-412	KMP240 12x24x2 Pleated Filter

Stock #	Description
166-414	KMP240 20x24x2 Pleated Filter
166-502	KMP240 24x24x2 Pleated Filter
166-504	KMP440 24x24x4 Pleated Filter
166-600	KMP140 14x25x1 Pleated Filter
166-601	KMP140 16x20x1 Pleated Filter
166-602	KMP140 16x25x1 Pleated Filter
166-603	KMP140 20x20x1 Pleated Filter
166-604	KMP140 20x25x1 Pleated Filter
166-605	KMP440 20x25x4 Pleated Filter
166-606	KMP140 14x20x1 Pleated Filter
166-607	KMP140 15x20x1 Pleated Filter
166-608	KMP140 12x24x1 Pleated Filter



- Filter Media  
High loft cotton/synthetic fibers
- Frame  
Heavy-duty beverage board frame
- Media Support  
Expanded metal media support downstream
- Rigid Design  
Media pack totally bonded to frame
- Pleat Design  
Pleats designed for maximum dust holding capacity



# Roll Media Products



Koch Filter Corporation  
Filtration Products Crafted with Pride

Stock #	Description
166301	GR4-4 30" x20'x1" Filter Media
166361	GR4-6 36" x20'x1" Filter Media
166364	54x1x90' Dry Poly Roll Media, White Color

F

Filters

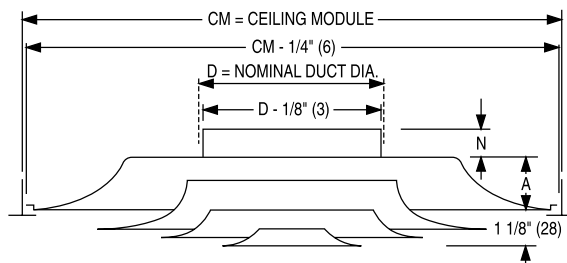
# Square Lay-In Ceiling Diffusers

Model# RNS



Stock #	Panel Size	Neck Size	Stock #	Panel Size	Neck Size
113-426	24" x 24"	6"	113-016	12" x 12"	6"
113-428	24" x 24"	8"	113-018	12" x 12"	8"
113-420	24" x 24"	10"	113-019	12" X 12"	Plaster Frame
113-422	24" x 24"	12"			
113-424	24" x 24"	14"			
113-624	24" x 24"	Plaster Frame			

## Dimensional Data



Ceiling Module CM		Imperial Units (inches)				Metric Units (mm)					
Imperial Modules	Metric Modules	Duct Size D	N	A	B	F	Duct Size D	N	A	B	F
12 x 12	300	4 *	3 1/4	1	11	13	102	83	25	279	330
	x 300	5, 6, 7, 8	1 1/4				127,152, 178, 203	32			
24 x 24	600	6, 8, 10, 12, 14, 15	1 1/4	2 5/16	22	24 3/4	152, 203, 254, 305, 356, 381	32	59	559	629
	x 600										

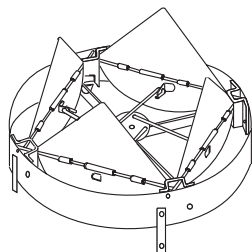
\* Supplied with a reducer.

# Round Ceiling Dampers

Radial Opposed Blade, Model# RD-4275



Stock #	Size
113-606	6"
113-608	8"
113-610	10"
113-612	12"
113-614	14"



## Features:

1. **Material:** Corrosion-resistant steel construction.
2. **Damper mounts** directly to diffuser collar.
3. **Standard Finish:** Mill.

## Description:

A unique method of controlling volume through a diffuser providing premium design quality and performance. The multi-blade perimeter design offers true radial flow at any setting. A screwdriver slot, accessible through the diffuser, requires only a half turn to adjust from fully closed to fully open. The damper is designed to fit directly on the neck of the diffuser. Simple convenient and accurate installation and operation.

## Operation:

Size 5 through 8 are friction type. Use screwdriver and turn operator to adjust damper setting. Size 10 through 15 use a detent mechanism to positively hold damper setting. Using screwdriver, lift up and turn operator to desired damper setting.

G

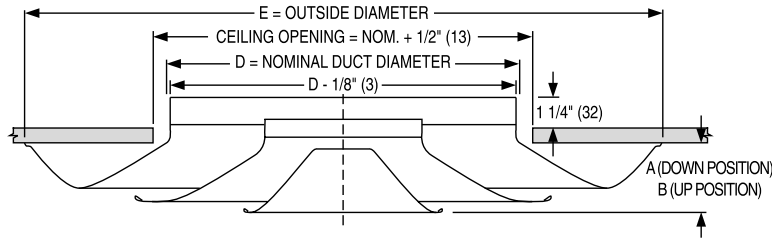
Diffusers, Registers & Grilles

# Round Ceiling Diffusers

Model# RNR

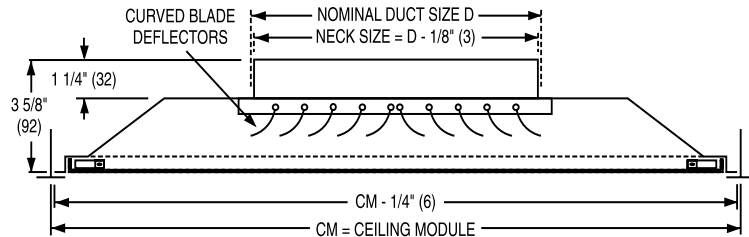


Stock #	Size	A	B	E
211-006	6"	1-3/4"	1-1/8"	11-3/8"
211-008	8"	2-1/8"	1-1/2"	14-3/8"
211-010	10"	2-7/8"	2-1/8"	17-15/16"
211-012	12"	3-1/8"	2-3/8"	21-5/8"
211-014	14"	3-3/8"	2-5/8"	25-1/4"
211-016	16"	4"	3-1/4"	28-7/8"



# Perforated Lay-In Ceiling Diffusers

Round or Square Neck, 4-Way Pattern, Model# 4320CB



G

Diffusers, Registers & Grilles

Stock #	Panel Size	Neck Size
113-432	24" x 24"	6"
113-434	24" x 24"	8"
113-436	24" x 24"	10"
113-438	24" x 24"	12"
113-440	24" x 24"	14"
113-442	24" x 24"	16"
113-624	24" x 24"	Plaster Frame

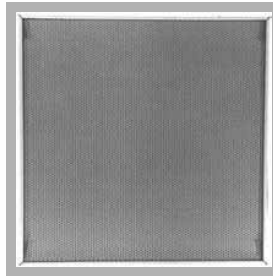
**One Easy Number: (952) 929-1618**

# Perforated Return Lay-In Ceiling Diffusers

Model# 4360



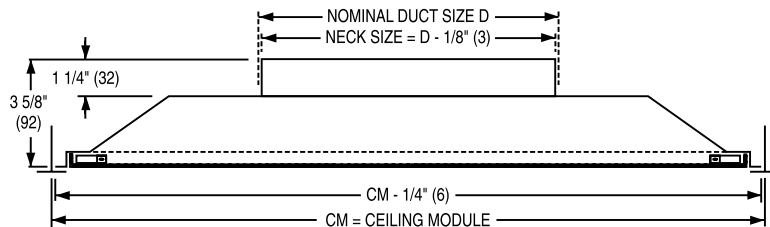
Stock #	Panel Size	Neck Size
113-366	24" x 24"	6"
113-368	24" x 24"	8"
113-361	24" x 24"	10"
113-362	24" x 24"	12"
113-360	24" x 24"	16"
113-624	24" x 24"	Plaster Frame



## Description:

The Nailor 4360 Series Perforated Face return air models are designed to match supply air models 4320, 4320CB, 4320F and 4320M in appearance and construction detail, less the air pattern controllers which are not required.

### Type L Lay-in T-Bar



Ceiling Module CM		Nominal Duct Size D
Imperial Modules	Metric Modules	Round Neck Imperial Units (in.)
24 x 24	600 x 600	6, 8, 10, 12, 14, 15 dia.

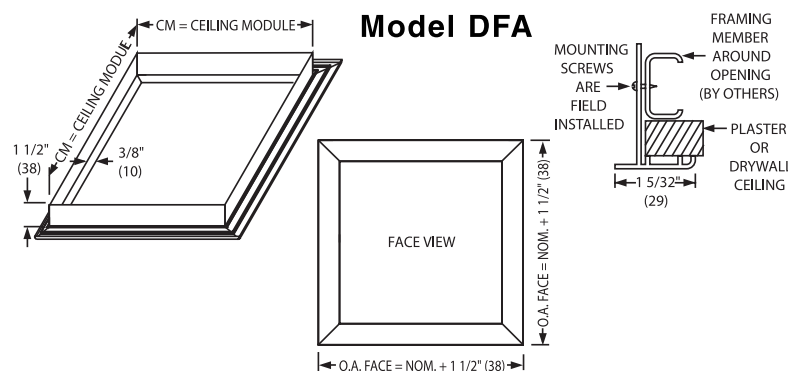
# Surface Mount Ceiling Adaptor

Drywall/Plaster, Aluminum Frame, Model# DFA



## Description:

The DFA is used for mounting in finished drywall or plaster ceilings to accept any standard lay-in type grille, register, diffuser or other ceiling component. Installation of the air outlet is as simple as inserting them in a standard lay-in T-Bar type ceiling system. This product simplifies and reduces installation time compared with surface mount type diffusers. This is especially true where flexible duct is utilized.



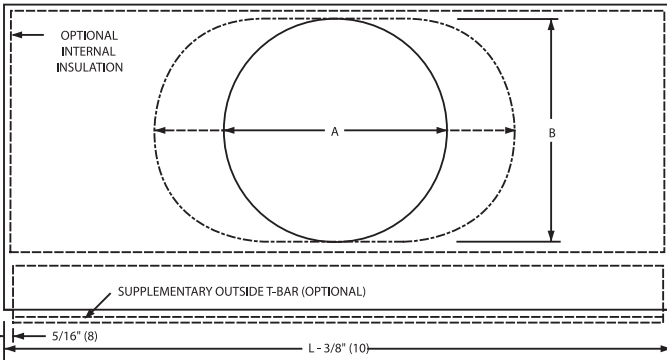
Stock #	Description
113-624	24"x24" Drywall Plaster Frame
113-648	48"x24" Drywall Plaster Frame
113-019	12"X12" Drywall Plaster Frame
113-613	24"X12" Drywall Plaster Frame

# Plenum Slot Diffusers

Model# 5710



Stock #	Size	Neck Size
113-750	24" x 1 Slot	6"
113-752	24" x 2 Slots	6"
113-754	24" x 2 Slots	8"
113-756	48" x 1 Slot	6"
113-758	48" x 2 Slots	8"
113-759	48" x 2 Slots	10"
113-753	24" x 2 Slots	Plaster Frame
113-760	48" x 2 Slots	Plaster Frame



		S Slot Width			
		1/2" (13)	3/4" (19)	1" (25)	1 1/2" (38)
W Width	1 Slot	1 1/2 (38)	1 3/4 (31)	2 (51)	2 1/2 (64)
	2 Slot	3 (76)	3 1/2 (89)	4 (102)	5 (127)

# Spiral Registers

Round Duct, Steel Construction, Model# RDR



## Features:

- Double deflection core with individually adjustable airflow blades. The front blades are parallel to the short dimension.
- 1 border style available for mounting on round or spiral ductwork.
- Border is all-welded construction with reinforced precision corners. Border along the long dimensions is curved.
- Closed cell foam gasket attached to the border provides a tight seal around opening in the duct.
- Optional air scoop (AS) available.



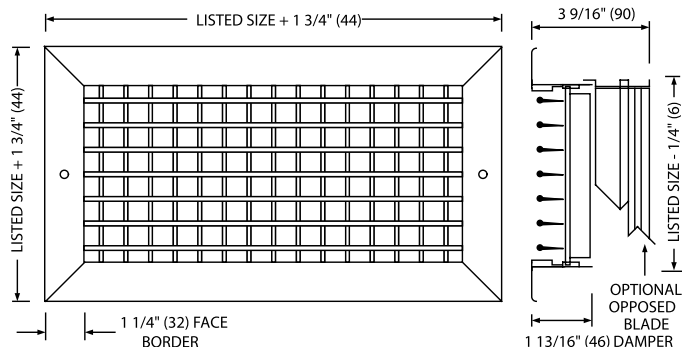
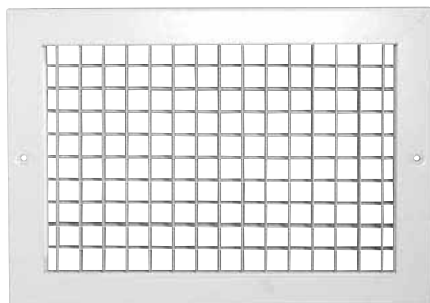
Stock #	Register Size	Description
113-851	12" x 4"	156CFM Satin Anodized Finish-US2V-AS
113-852	16" x 6"	276CFM Satin Anodized Finish-US2V-AS
113-853	20" x 6"	360CFM Satin Anodized Finish-US2V-AS
113-854	24" x 6"	414CFM Satin Anodized Finish-US2V-AS



Diffusers, Registers & Grilles

# Supply Registers

Double Deflection with OBD, Model# 61DH-O



Neck Size	61DH-O Register
	Stock #
6" x 6"	211-401
8" x 6"	211-403
8" x 8"	211-402
10" x 4"	211-404
10" x 6"	211-406
10" x 8"	211-408
10" x 10"	211-410
12" x 4"	211-424
12" x 6"	211-426
12" x 8"	211-428
12" x 10"	211-430
12" x 12"	211-432
14" x 4"	211-444
14" x 6"	211-446
14" x 8"	211-448
14" x 10"	211-450
14" x 12"	211-452
14" x 14"	211-454
16" x 4"	211-464
16" x 6"	211-466
16" x 8"	211-468
16" x 10"	211-470
16" x 12"	211-472
16" x 14"	211-474
16" x 16"	211-476
18" x 6"	211-486
18" x 8"	211-488
18" x 10"	211-490
18" x 12"	211-492
18" x 14"	211-494
18" x 16"	211-496
18" x 18"	211-498
20" x 6"	211-506
20" x 8"	211-508
20" x 10"	211-510

Neck Size	61DH-O Register
	Stock #
20" x 12"	211-512
20" x 14"	211-514
20" x 16"	511-516
20" x 18"	211-518
20" x 20"	211-520
24" x 6"	211-546
24" x 8"	211-548
24" x 10"	211-550
24" x 12"	211-552
24" x 14"	211-554
24" x 16"	211-556
24" x 18"	211-558
24" x 20"	211-560
24" x 24"	211-565
30" x 6"	211-606
30" x 8"	211-608
30" x 10"	211-610
30" x 12"	211-611
30" x 14"	211-614
30" x 16"	211-616
30" x 18"	211-618
30" x 20"	211-620
30" x 24"	211-624
30" x 30"	211-630
36" x 6"	211-666
36" x 8"	211-668
36" x 10"	211-670
36" x 12"	211-672
36" x 14"	211-674
36" x 16"	211-676
36" x 20"	211-680
36" x 24"	211-684
36" x 30"	211-690
36" x 36"	211-696

G

Diffusers, Registers & Grilles

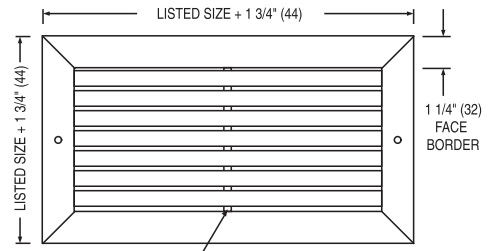
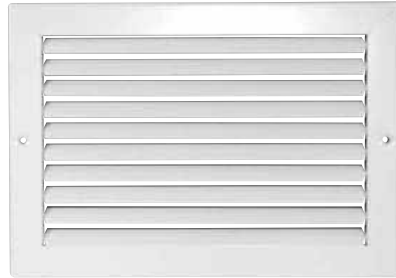
# Return Grilles

Fixed 45° Deflection, Model# 6145-H



## Description:

Models 6145-H Return Grilles and Registers have fixed horizontal blades (parallel to width/first specified dim.) spaced on 3/4" (19) centers with 45° or 0° straight face deflection.



Concealed reinforcing mullions on 45 degree models.

Neck Size	6145-H Grille
	Stock #
6" x 6"	211-066
8" x 4"	211-084
8" x 6"	211-086
8" x 8"	211-088
10" x 4"	211-104
10" x 6"	211-106
10" x 8"	211-108
10" x 10"	211-110
12" x 4"	211-124
12" x 6"	211-126
12" x 8"	211-128
12" x 10"	211-130
12" x 12"	211-132
14" x 4"	211-144
14" x 6"	211-146
14" x 8"	211-148
14" x 10"	211-150
14" x 12"	211-152
14" x 14"	211-154
16" x 6"	211-166
16" x 8"	211-168
16" x 10"	211-170
16" x 12"	211-172
16" x 14"	211-174
16" x 16"	211-176
18" x 6"	211-186
18" x 8"	211-188
18" x 10"	211-190
18" x 12"	211-192
18" x 14"	211-194
18" x 16"	211-196
18" x 18"	211-198
20" x 6"	211-206
20" x 8"	211-208
20" x 10"	211-210

Neck Size	6145-H Grille
	Stock #
20" x 12"	211-212
20" x 14"	211-214
20" x 16"	211-216
20" x 18"	211-218
20" x 20"	211-220
24" x 6"	211-246
24" x 8"	211-248
24" x 10"	211-250
24" x 12"	211-252
24" x 14"	211-254
24" x 16"	211-256
24" x 18"	211-258
24" x 20"	211-260
24" x 24"	211-264
30" x 6"	211-306
30" x 8"	211-308
30" x 10"	211-310
30" x 12"	211-312
30" x 14"	211-314
30" x 16"	211-316
30" x 18"	211-318
30" x 20"	211-320
30" x 24"	211-324
30" x 30"	211-330
36" x 6"	211-366
36" x 8"	211-368
36" x 10"	211-370
36" x 12"	211-372
36" x 14"	211-374
36" x 16"	211-376
36" x 18"	211-378
36" x 20"	211-380
36" x 24"	211-384
36" x 30"	211-390
36" x 36"	211-386
48" x 36"	211-483



Diffusers, Registers & Grilles



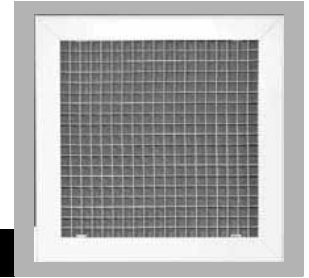
# Eggcrate Grilles

## Series 51EC



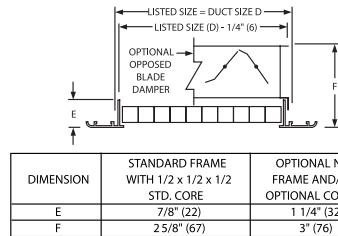
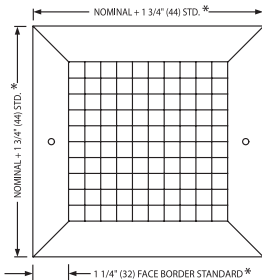
### Description:

**Model 51EC Grilles and Registers** have grid cores capable of transferring or returning high air volumes at minimum pressure requirements. They match in appearance the grid louvers on parabolic light fixtures and are available to suit both lay-in T-Bar openings in suspended grid ceilings and overlap openings in hard ceilings and walls.



### Type S Surface mount, flanged frame

This model has a flanged frame with an overall face dimension that is 1 3/4" (44) larger than the listed duct size. It is furnished as standard with countersunk screw holes and mounting screws. Available with optional opposed blade damper.



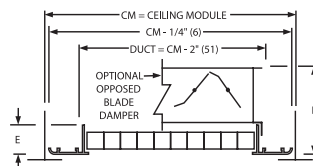
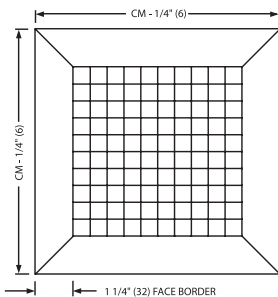
DIMENSION	STANDARD FRAME WITH 1/2 x 1/2 x 1/2 STD. CORE	OPTIONAL NF FRAME AND/OR OPTIONAL CORE
E	7/8" (22)	1 1/4" (32)
F	2 5/8" (67)	3" (76)

\* Optional Type NF Narrow frame with 1" (25) face border and a 3/4" (19) overlap margin. O.A. flange to flange dim. = listed size + 1 1/4" (32).

Stock #	Neck Size
211-799	10" x 10"
211-800	12" x 12"
211-808	16" x 8"
211-816	16" x 16"
211-818	20" x 8"
211-828	24" x 8"
211-832	24" x 12"
211-833	24" x 24"

### Type L Lay-in T-Bar, aluminum frame/border

This model is similar to above, but is sized on the overall face dimension to suit standard lay-in T-Bar ceiling modules and is supplied less screw holes. It is the model of choice for ducted return air applications. The nominal duct size is 2" (51) smaller than the ceiling module. When installed, the frame/border is partially visible within the perimeter of the ceiling opening and provides a visually appealing architectural finish. Available with optional opposed blade damper.

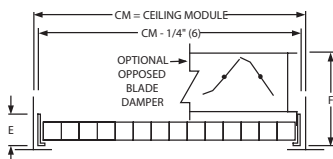


DIMENSION	STANDARD FRAME WITH 1/2 x 1/2 x 1/2 STD. CORE	WITH 1/2 x 1/2 x 1 OR 1 x 1 x 1 OPTIONAL CORE
E	7/8" (22)	1 1/4" (32)
F	2 5/8" (67)	3" (76)

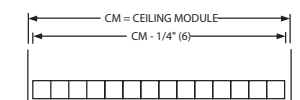
Stock #	Panel Size	Neck Size
211-839	24" x 6"	22" x 4"
211-840	24" x 8"	22" x 6"
211-844	24" x 12"	22" x 10"
211-846	24" x 24"	22" x 22"

### Type C Lay-in T-Bar, core only

The most cost effective return air grille for T-Bar ceilings. The ceiling grid conceals the raw edges of the eggcrate when installed. Suitable for use only in non-ducted plenum return air applications. This model is not available with a damper.



DIMENSION	STANDARD FRAME WITH 1/2 x 1/2 x 1/2 STD. CORE	WITH 1/2 x 1/2 x 1 OR 1 x 1 x 1 OPTIONAL CORE
E	7/8" (22)	1 1/4" (32)
F	2 5/8" (67)	3" (76)



Frame/Border Type A - Concealed Angle Frame

Stock #	Size
902-007	24" x 6"
902-008	24" x 12"
902-002	24" x 24"
902-001	48" x 24"



Diffusers, Registers & Grilles

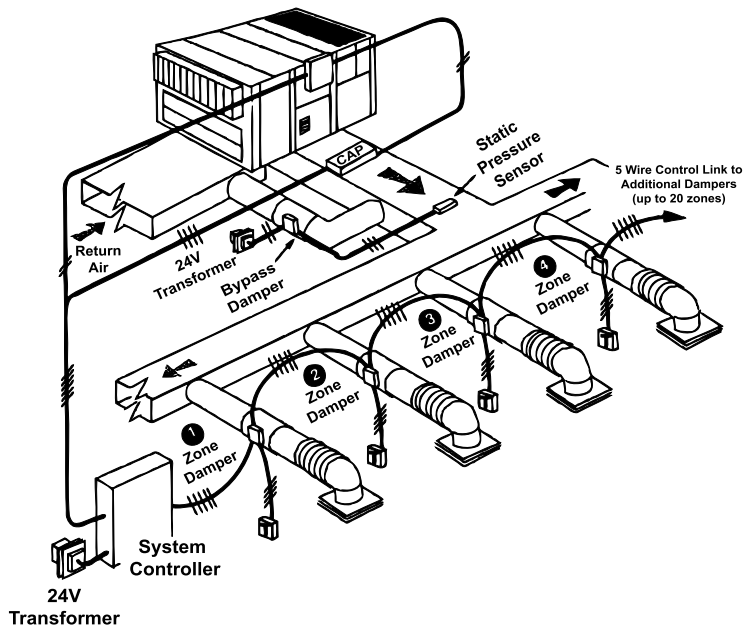
G

Diffusers, Registers & Grilles

# Zone Control Systems



Stock #	Description
264-001	101ASSB System 2000 Controller
264-002	CAPL-2 Modulating Cap. Control
264-004	CAPL-4 Modulating Cap. Control
264-005	101DIGI Digital H/C Thermostat
264-006	SYGE System 1000 Controller
264-007	101ASPC Bypass Control Sensor
264-008	101AMPD 8" RD Medium Pressure
264-009	SAMOD Stand Alone Modulating
264-010	101AMPD 10" RD Medium Pressure
264-012	101AMPD 12" RD Medium Pressure
264-013	101ARTN-150 150VA Transformer
264-014	101AMPD 14" RD Medium Pressure
264-040	DTGE4-2 Digitract 4 Zone Controller
264-108	STMPD 8" RD Electronic Bypass
264-110	STMPD 10" RD Electronic Bypass
264-112	STMPD 12" RD Electronic Bypass
264-114	STMPD 14" RD Electronic Bypass
264-116	STMPD 16" RD Electronic Bypass
264-220	D-FUSER Modulating W/10" Collar
264-228	D-FUSER Modulating W/8" Collar



System 2000 shown above

Zone Control Systems





# Flexible Duct

Insulated, Models M-KE, KM & S-TL



## Model# M-KE (Insulated)



### Description:

M-KE is highly efficient thermally insulated flexible duct, for use in low and medium pressure heating and cooling systems. New and improved bi-directional reinforced metallized vapor barrier that will not unravel. Acoustically rated, self-extinguishing chlorinated polyethylene (CPE) core easily expands over fittings. Core is permanently bonded to a coated spring steel wire helix that supports an ample blanket of fiberglass insulation, providing a double air seal.

### M-KE Specifications:

**Diameter:** 4-20 inches ID

**Pressure Rating:** (WG)

**Positive:** 10 inches (4" – 16" ID) & 6 inches (18" – 20" ID)

**Negative:** 1 inch (4"-12" ID) 1/2 inch (14"-20" ID)

**Velocity:** 5000 FPM

**Temp. Range:** -20°F – 250°F

**R-Value:** R-4.2, R-6.0, R-8.0



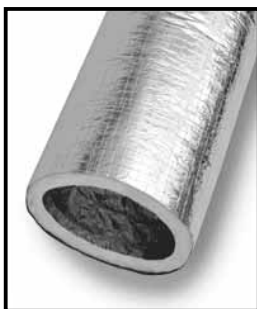
Stock #	Size
229-004	4" x 25'
229-005	5" x 25'
229-006	6" x 25'
229-007	7" x 25'
229-008	8" x 25'
229-009	9" x 25'
229-010	10" x 25'
229-012	12" x 25'
229-014	14" x 25'
229-016	16" x 25'
229-018	18" x 25'
229-020	20" x 25'

### 10-Year Warranty:

Thermaflex offers a full 10 year warranty—the strongest in the business—on its Thermaflex Pro Series Products. Our 10 Year Pro Warranty ensures that all Thermaflex insulated and non-insulated products will be free of defects in material and factory workmanship for a period of 10 years from the date of manufacture. During this 10 year period, Thermaflex will cover all duct costs, material costs, and any reasonable labor costs provided the flexible duct was properly installed in accordance with our written instructions. (Ducts exposed to direct or indirect sunlight are excluded from this warranty.)

## Model# KM (Insulated)

Stock #	Size
222-004	4" x 25'
222-005	5" x 25'
222-006	6" x 25'
222-007	7" x 25'
222-008	8" x 25'
222-009	9" x 25'
222-010	10" x 25'
222-012	12" x 25'
222-014	14" x 25'
222-016	16" x 25'



### Description:

KM Insulated Duct Strong polyester film laminated and encapsulating a heavy, corrosion resistant steel wire helix, forms the inner core and supports a thick blanket of fiberglass insulation. The outer vapor barrier is a new bi-directional reinforced metallized vapor barrier which will not unravel. The smooth air tight inner core of polyester is designed for low to medium pressure systems.



### 5-Year Warranty:

Thermaflex offers a 5 year warranty on its Flex-Vent products. This ensures that all Flex-Vent insulated and non-insulated products will be free of defects in material and factory workmanship for a period of 5 years from the date of manufacture. During this 5 year period, Flex-Vent will cover all duct costs, material costs, and any reasonable labor costs provided the flexible duct was properly installed in accordance with our written instructions. (Ducts exposed to direct or indirect sunlight are excluded from this warranty.)

### KM Specifications:

**Diameter:** 4-20 inches ID

**Pressure Rating:** (WG)

**Positive:** 10 inches (4" – 16" ID) & 6 inches (18" – 20" ID)

**Negative:** 1 inch (4"-12" ID) 1/2 inch (14"-20" ID)

**Velocity:** 5000 FPM

**Temp. Range:** -20°F – 250°F

**R-Value:** R-4.2, R-6.0, R-8.0

## Model# S-TL (Non-Insulated)



### Description:

#### Non-insulated UL181 Class 1 flexible air duct

is extremely strong with heavy fiberglass cloth fabric permanently bonded to a corrosion resistant spring steel wire helix. For low to high pressure heating and cooling systems. A superior alternative in applications where insulated duct is not required or cannot be used, e.g., clean room applications. Unlike connector-rated products, S-TL is not limited to length

Stock #	Size
226-300	3" x 25'
226-400	4" x 25'
226-500	5" x 25'
226-600	6" x 25'
226-700	7" x 25'
226-800	8" x 25'
226-900	9" x 25'
226-100	10" x 25'
226-120	12" x 25'
226-140	14" x 25'
226-160	16" x 15'
226-180	18" x 15'
226-200	20" x 15'

### S-TL Specs:

**Diameter:** 2-20 inches ID

**Pressure Rating:** (WG)

**Positive:** 16 inches (4" – 16" ID) & 10 inches (18" – 20" ID)

**Negative:** 1 inch (2"-20" ID)

**Velocity:** 6000 FPM

**Temp. Range:** -20°F – 250°F

## Nylon Tension/Zip Ties

### Tyton Manufacturing

Stock #	Description
286-032	T150L 36" Nylon Tyton Ties
286-042	T150LL 43" Nylon Tyton Ties
286-052	T150XL 53" Nylon Tyton Ties

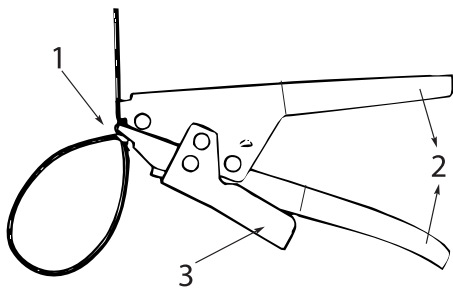
## Tensioning Tools

### Models TY4 & TY6



### TY4

Stock #	Description
180-953	Malco Tensioning Tool

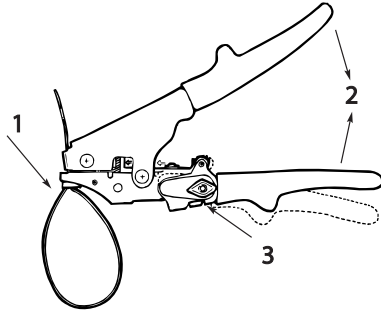


1. Feed end of tie through nose.
2. Tighten with handles.
3. Use lever to cut off tie tail.



## TY6

Stock #	Description
180-954	Malco Tensioning Tool



1. Feed end of tie through nose.
2. Tighten with handles until tie tail is AUTOMATICALLY cut off.
3. Turn knob clockwise to increase tension.



## Spiral Pipe and Accessories

### Galvanized Spiral Pipe

Stock #	Description
110-040	04"x10' Spiral Pipe 26GA Galv.
110-060	06"x10' Spiral Pipe 26GA Galv.
110-080	08"x10' Spiral Pipe 26GA Galv.
110-100	10"x10' Spiral Pipe 26GA Galv.
110-120	12"x10' Spiral Pipe 26GA Galv.
110-140	14"x10' Spiral Pipe 24GA Galv.
110-160	16"x10' Spiral Pipe 24GA Galv.
110-180	18"x10' Spiral Pipe 24GA Galv.

### Galvanized Spiral Coupling

Stock #	Description
110-200	04" Coupling Galv. Spiral
110-201	06" Coupling Galv. Spiral
110-202	08" Coupling Galv. Spiral
110-203	10" Coupling Galv. Spiral
110-204	12" Coupling Galv. Spiral
110-205	14" Coupling Galv. Spiral
110-207	16" Coupling Galv. Spiral
110-209	18" Coupling Galv. Spiral

## Galvanized Spiral Hoop Hangers

Stock #	Description
110-001	06" Hanger Hoop Galv. Spiral
110-002	08" Hanger Hoop Galv. Spiral
110-003	10" Hanger Hoop Galv. Spiral
110-004	12" Hanger Hoop Galv. Spiral
110-005	14" Hanger Hoop Galv. Spiral
110-007	16" Hanger Hoop Galv. Spiral
110-009	04" Hanger Hoop Galv. Spiral
110-011	18" Hanger Hoop Galv. Spiral

## Yellow Label Pipe and Fittings

### Pipes

Stock #	Description
110-104	Y/L 04"x5' 26GA Union SL Pipe
110-105	Y/L 05"x5' 26GA Union SL Pipe
110-106	Y/L 06"x5' 26GA Union SL Pipe
110-107	Y/L 07"x5' 26GA Union SL Pipe
110-108	Y/L 08"x5' 26GA Union SL Pipe
110-109	Y/L 09"x5' 26GA Union SL Pipe
110-110	Y/L 10"x5' 26GA Union SL Pipe
110-112	Y/L 12"x5' 26GA Union SL Pipe
110-114	Y/L 14"x5' 24GA Union SL Pipe
110-116	Y/L 16"x5' 24GA Union SL Pipe

### Union Elbows

Stock #	Description
110-303	Y/L 03" 26GA Union Elbow
110-304	Y/L 04" 26GA Union Elbow
110-305	Y/L 05" 26GA Union Elbow
110-306	Y/L 06" 26GA Union Elbow
110-307	Y/L 07" 26GA Union Elbow
110-308	Y/L 08" 26GA Union Elbow
110-309	Y/L 09" 26GA Union Elbow
110-310	Y/L 10" 26GA Union Elbow
110-312	Y/L 12" 26GA Union Elbow
110-314	Y/L 14" 24GA Union Elbow
110-316	Y/L 16" 24GA Union Elbow
110-318	Y/L 18" 24GA Union Elbow



### Bell/Conical Spin-ins with Damper

Stock #	Description
110-206	06" Bell/Conical Spin-in w/Damper
110-208	08" Bell/Conical Spin-in w/Damper
110-210	10" Bell/Conical Spin-in w/Damper
110-212	12" Bell/Conical Spin-in w/Damper

### Spin-ins with and without Damper

Stock #	Description
110-405	Y/L 05" 26GA Spin-in No Damper
110-406	Y/L 06" 26GA Spin-in No Damper
110-407	Y/L 07" 26GA Spin-in No Damper
110-408	Y/L 08" 26GA Spin-in No Damper
110-410	Y/L 10" 26GA Spin-in No Damper
110-412	Y/L 12" 26GA Spin-in No Damper
110-414	Y/L 14" 24GA Spin-in No Damper
110-416	Y/L 16" 24GA Spin-in No Damper
110-418	Y/L 18" 24GA Spin-in No Damper
110-506	Y/L 06" 26GA Spin-in with Damper
110-507	Y/L 07" 26GA Spin-in with Damper
110-508	Y/L 08" 26GA Spin-in with Damper
110-510	Y/L 10" 26GA Spin-in with Damper
110-512	Y/L 12" 26GA Spin-in with Damper
110-514	Y/L 14" 24GA Spin-in with Damper
110-516	Y/L 16" 24GA Spin-in with Damper
110-518	Y/L 18" 24GA Spin-in with Damper

### Volume Dampers with Hardware

Stock #	Description
110-006	Y/L 06" Volume Damper with HDWRE
110-008	Y/L 08" Volume Damper with HDWRE
110-010	Y/L 10" Volume Damper with HDWRE
110-012	Y/L 12" Volume Damper with HDWRE
110-014	Y/L 14" Volume Damper with HDWRE

## Access Doors For Round Ductwork

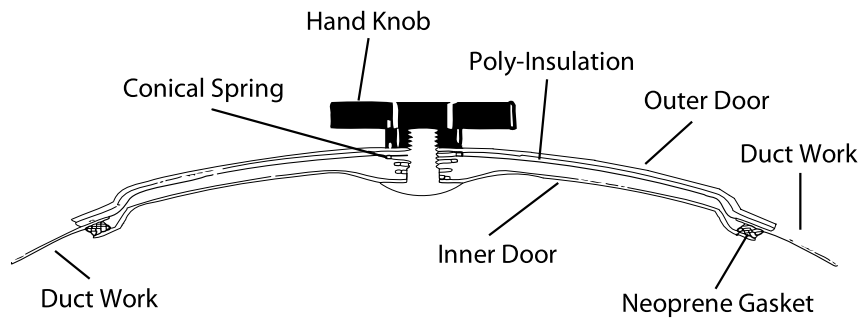


### Specifications:

- Tested to 20" w.g.
- Available in 10x6 and 16x12
- Metal Thickness: 10x06, 22ga.
- 16x12, 20ga.
- Available in galvanized, stainless, aluminum, and PVC coated
- Doors are available in 16ga. black iron for kitchen exhaust.



Stock #	Door Size	Duct Diameter 90
252-106	10" x 6"	6"
252-106	10" x 6"	8"
252-110	10" x 6"	10"
252-112	10" x 6"	12"
252-114	10" x 6"	14"
252-116	10" x 6"	16"
252-118	10" x 6"	18"
252-120	10" x 6"	20"
252-124	10" x 6"	24"



## Vent Piping Type A-Vent DuraTech



### Applications:

The DuraTech 2100° F Chimney System, offered in 5", 6", 7", and 8" sizes, is designed for use with gravity-vented appliances that are tested and listed for use with a 2100° F HT chimney system, including:

- Wood stoves
- Fireplaces
- Oil, gas, and coal-fired appliances
- Zero clearance, factory-built fireplaces
- Black available in 6", 9", and 12" lengths



### Thermal Tech Insulation:

- Thermal Tech blanket insulation keeps the outer wall of the chimney cool, while ensuring high flue gas temperatures for optimum draft performance.
- Encased between dual walls of stainless steel, flexible blanket insulation permits the chimney liner to expand in the event of a creosote fire.
- This eliminates buckling and loss of structural integrity associated with solid-pack type insulation.

## Type A-Vent / DuraTech ( Continued )

### Ease of Installation:

- DuraTech's sleek 1" wall design provides for easy installations, such as installation through 16" on center rafters.
- Light-weight insulation, combined with twist-lock fittings, provides for ease of installation. No locking bands or mechanical fasteners required.
- DuraTech support boxes feature factory installed twist-lock fittings.
- DuraTech Elbows offer new swivel 360° rotation at base.

Stock #	Description
119-167	1670 6" X 14" Blk Slip Connect
119-187	1870 8" X 14" Blk Slip Connect
119-359	9359 6" Storm Collar Duratech
119-402	9402GA 6"x06" Chimney Duratech
119-403	9403GA 6"x12" Chimney Duratech
119-404	9404GA 6"x18" Chimney Duratech
119-405	9405GA 6"x24" Chimney Duratech
119-406	9406GA 6"x36" Chimney Duratech
119-407	9407GA 6"x48" Chimney Duratech
119-417	9407 SS 6"x48" Chimney Duratech
119-431	9431SS 6" Tee Sup Finish
119-438	9438B 6" SQR Clg Sup Box 24"
119-442	9442 6" Flat Ceiling Sup Box
119-443	9443 6" Wall Thimble Duratech
119-445	9445 6" RD Ceiling Sup Box
119-446	9446 6" Attic Insul Shield
119-447	9447 6" Firestop Rad Shield
119-449	9449 6" Roof Flash 0/12-6/12
119-450	9450 6" Roof Flash 7/12-12/12
119-451	9451 6" Flat Roof Flashing
119-456	9456 6" Firestop
119-460	9460 6" Elbow Strap Duratech
119-462	9463 6" Adj Roof Support
119-464	9464GA 6" 15 Deg Elbow Duratech
119-466	9466GA 6" 30 Deg Elbow Duratech
119-467	9467GA 6" Tee with Cap Duratech
119-468	9468 6" Wall Strap Duratech
119-472	9472 6" Tee Sup Bracket
119-474	9464 SS 6" 15 Deg Elbow Duratech
119-476	9466 SS 6" 30 Deg Elbow Duratech
119-477	9467N SS 6" Tee with Cap Duratech
119-482	9472SS 6" Tee Sup Bracket

Stock #	Description
119-484	9484 6" Chimney Top Duratech
119-559	9559 8" Storm Collar Duratech
119-602	9602GA 8"x06" Chimney Duratech
119-603	9603GA 8"x12" Chimney Duratech
119-604	9604GA 8"x18" Chimney Duratech
119-605	9605GA 8"x24" Chimney Duratech
119-606	9606GA 8"x36" Chimney Duratech
119-607	9607GA 8"x48" Chimney Duratech
119-617	9607 SS 8"x48" Chimney Duratech
119-631	9631SS 8" Tee Sup Finish
119-638	9638B 8" SQR Clg Sup Box 24"
119-642	9642 (NEW 9644)8" Ceil Sup Box
119-643	9643 8" Wall Thimble Duratech
119-645	9645 8" Rd Ceiling Sup Box
119-646	9646 8" Attic Insul Sheild
119-647	9647 8" Firestop Rad Shield
119-649	9649 8" Roof Flash 0/12-6/12
119-650	9650 8" Roof Flash 7/12-12/12
119-651	9651 8" Flat Roof Flashing
119-660	9660 8" Elbow Strap Duratech
119-662	9663 8" Adj Roof Sup
119-664	9664GA 8" 15 Deg Elbow Duratech
119-666	9666GA 8" 30 Deg Elbow Duratech
119-667	9667GA 8" Tee with Cap Duratech
119-668	9668 8" Wall Strap Duratech
119-672	9672 8" Tee Sup Bracket
119-674	9664 SS 8" 15 Deg Elbow Duratech
119-676	9666 SS 8" 30 Deg Elbow Duratech
119-677	9667N SS 8" Tee with Cap Duratech
119-682	9672SS 8" Tee Sup Bracket
119-684	9684 8" Chimney Top Duratech

# Vent Piping

## Type B-Vent



### Features-Type B Gas Vent:

Quality Construction

- Listed to UL 441 (file MH6357)
- Listed to ULC S605 (file CMH1276 & 1407)
- Aluminum inner wall
- Galvanized outer wall
- Clearances - 1" to combustibles
- Warranty - 25 years



Ductwork, Venting & Accessories

Stock #	Description
114-001	(1) 3"x5' DVR Class B Pipe
114-002	(2) 4"x5' DVR Class B Pipe
114-003	(3) 5"x5' DVR Class B Pipe
114-004	(4) 6"x5' DVR Class B Pipe
114-005	(5) 7"x5' DVR Class B Pipe
114-006	(6) 8"x5' DVR Class B Pipe
114-010	(10) 3"x3' DVR Class B Pipe
114-011	(11) 4"x3' DVR Class B Pipe
114-012	(12) 5"x3' DVR Class B Pipe
114-013	(13) 6"x3' DVR Class B Pipe
114-014	(14) 7"x3' DVR Class B Pipe
114-015	(15) 8"x3' DVR Class B Pipe
114-020	(20) 3"x18" DVR Class B Pipe
114-021	(21) 4"x18" DVR Class B Pipe
114-022	(22) 5"x18" DVR Class B Pipe
114-023	(23) 6"x18" DVR Class B Pipe
114-024	(24) 7"x18" DVR Class B Pipe
114-025	(25) 8"x18" DVR Class B Pipe
114-030	(30) 3"x12' DVR Class B Pipe
114-031	(31) 4"x12" DVR Class B Pipe
114-032	(32) 5"x12" DVR Class B Pipe
114-033	(33) 6"x12" DVR Class B Pipe
114-034	(34) 7"x12" DVR Class B Pipe
114-035	(35) 8"x12" DVR Class B Pipe
114-041	(41) 4"x06" DVR Class B Pipe
114-042	(42) 5"x06" DVR Class B Pipe
114-043	(43) 6"x06" DVR Class B Pipe
114-050	(50) 3"x12" ADJ Class B Pipe
114-051	(51) 4"x12" ADJ Class B Pipe
114-052	(52) 5"x12" ADJ Class B Pipe
114-053	(53) 6"x12" ADJ Class B Pipe
114-054	(54) 7"x12" ADJ Class B Pipe
114-055	(55) 8"x12" ADJ Class B Pipe
114-060	(60) 3" 90 Deg Class B Elbow
114-061	(61) 4" 90 Deg Class B Elbow

Stock #	Description
114-062	(62) 5" 90 Deg Class B Elbow
114-063	(63) 6" 90 Deg Class B Elbow
114-064	(64) 7" 90 Deg Class B Elbow
114-065	(65) 8" 90 Deg Class B Elbow
114-070	(70) 3" 45 Deg Class B Angle
114-071	(71) 4" 45 Deg Class B Angle
114-072	(72) 5" 45 Deg Class B Angle
114-073	(73) 6" 45 Deg Class B Angle
114-074	(74) 7" 45 Deg Class B Angle
114-075	(75) 8" 45 Deg Class B Angle
114-080	(80) 3" DVR Class B Tee
114-081	(81) 4" DVR Class B Tee
114-082	(82) 5" DVR Class B Tee
114-083	(83) 6" DVR Class B Tee
114-084	(84) 7" DVR Class B Tee
114-085	(85) 8" DVR Class B Tee
114-090	(90) 3" Tee Cap DVR Class B
114-091	(91) 4" Tee Cap DVR Class B
114-092	(92) 5" Tee Cap DVR Class B
114-093	(93) 6" Tee Cap DVR Class B
114-094	(94) 7" Tee Cap DVR Class B
114-095	(95) 8" Tee Cap DVR Class B
114-100	(100) DVR 3x4 Increaser
114-101	(101) DVR 3x5 Increaser
114-103	(103) DVR 4x5 Increaser
114-104	(104) DVR 4x6 Increaser
114-105	(105) DVR 5x6 Increaser
114-106	(106) DVR 6x7 Increaser
114-107	(107) DVR 6x8 Increaser
114-108	(108) DVR 7x8 Increaser
114-109	(109) DVR 8x10 Increaser
114-121	(121) 4" DVR Draft Hood Conn
114-130	(130) 3" Deluxe Top Class B
114-131	(131) 4" Deluxe Top Class B
114-132	(132) 5" Deluxe Top Class B

## Type B-Vent ( Continued )

Stock #	Description	Stock #	Description
114-133	(133) 6" Deluxe Top Class B	114-387	(387) 5"x2' DVR Class B Pipe
114-134	(134) 7" Deluxe Top Class B	114-388	(388) 6"x2' DVR Class B Pipe
114-135	(135) 8" Deluxe Top Class B	114-389	(389) 7"x2' DVR Class B Pipe
114-140	(140) 3" DVR ADJ Roof Flashing	114-390	(390) 8"x2' DVR Class B Pipe
114-141	(141) 4" DVR ADJ Roof Flashing	114-400	(400) 3"x4' DVR Class B Pipe
114-142	(142) 5" DVR ADJ Roof Flashing	114-401	(401) 4"x4' DVR Class B Pipe
114-143	(143) 6" DVR ADJ Roof Flashing	114-402	(402) 5"x4' DVR Class B Pipe
114-144	(144) 7" DVR ADJ Roof Flashing	114-403	(403) 6"x4' DVR Class B Pipe
114-145	(145) 8" DVR ADJ Roof Flashing	114-404	(404) 7"x4' DVR Class B Pipe
114-150	(150) 3" DVR Storm Collar	114-405	(405) 8"x4' DVR Class B Pipe
114-151	(151) 4" DVR Storm Collar	114-426	(426) 4x4x4 DVR WYE
114-152	(152) 5" DVR Storm Collar	114-431	(431) 5x4x4 DVR WYE
114-153	(153) 6" DVR Storm Collar	114-442	(442) 6x4x4 DVR WYE
114-154	(154/155) 7" & 8" DVR Collar	114-452	(452) 4" DVR Swivel Extension
114-160	(160) 3" DVR Wall Thimble	114-453	(453) 5" DVR Swivel Extension
114-161	(161) 4" DVR Wall Thimble	114-497	(497) 4" DVR Female Adapter
114-162	(162) 5" DVR Wall Thimble	114-498	(498) 5" DVR Female Adapter
114-163	(163) 6" DVR Wall Thimble	114-499	(499) 6" DVR Female Adapter
114-164	(164) 7" DVR Wall Thimble	114-500	(500) 5"x5' DVR Oval Pipe
114-165	(165) 8" DVR Wall Thimble	114-824	(82T4) 5x5x4 DVR Tee
114-170	(170) 3" DVR Pipe Collar	114-603	140F 3" DVR Tall Cone Flashing
114-171	(171) 4" DVR Pipe Collar	114-604	141F 4" DVR Tall Cone Flashing
114-172	(172) 5" DVR Pipe Collar	114-605	142F 5" DVR Tall Cone Flashing
114-173	(173) 6" DVR Pipe Collar	114-606	143F 6" DVR Tall Cone Flashing
114-180	(630) 3" Low Dura Top	114-607	144F 7" DVR Tall Cone Flashing
114-181	(631) 4" Low Dura Top	114-608	145F 8" DVR Tall Cone Flashing
114-182	(632) 5" Low Dura Top		
114-183	(633) 6" Low Dura Top		
114-385	(385) 3"x2' DVR Class B Pipe		
114-386	(386) 4"x2' DVR Class B Pipe		

## Type B-Vent ( Continued )

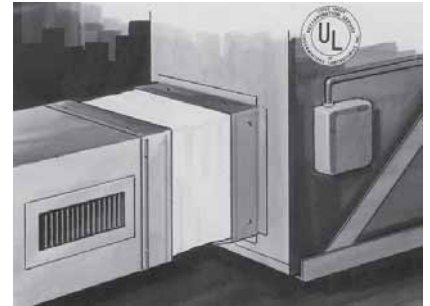
Stock #	Description	Stock #	Description
214-016	(2516) 10"x3' DVR Class B Pipe	214-244	(2544) 22" DVR Tee-Class B
214-017	(2517) 12"x3' DVR Class B Pipe	214-245	(2545) 24" DVR Tee-Class B
214-026	(2426) 10"x18" Class B Pipe	214-250	(2550) 14" 45 Deg Class B Elbow
214-027	(2427) 12"x18" Class B Pipe	214-251	(2551) 16" 45 Deg Class B Elbow
214-056	(2456) 10"x12" ADJ Class B-DVR	214-252	(2552) 18" 45 Deg Class B Elbow
214-057	(2457) 12"x12" ADJ Class B-DVR	214-253	(2553) 20" 45 Deg Class B Elbow
214-066	(2466) 10" 90 Deg Class B Elbow	214-254	(2554) 22" 45 Deg Class B Elbow
214-076	(2476) 10" 45 Deg Class B Elbow	214-255	(2555) 24" 45 Deg Class B Elbow
214-077	(2477) 12" 45 Deg Class B Elbow	214-260	(2560) 14" Vent-Top DVR Deluxe
214-086	(2586) 10" DVR Tee-Class B	214-261	(2561) 16" Vent-Top DVR Deluxe
214-087	(2587) 12" DVR Tee-Class B	214-262	(2562) 18" Vent-Top DVR Deluxe
214-096	(2596) 10" DVR Tee Cap-Class B	214-263	(2563) 20" Vent-Top DVR Deluxe
214-097	(2597) 12" DVR Tee Cap-Class B	214-264	(2564) 22" Vent-Top DVR Deluxe
214-136	(2536) 10" DVR Vent-Top Deluxe	214-265	(2565) 24" Vent-Top DVR Deluxe
214-137	(2537) 12" DVR Vent-Top Deluxe	214-271	(2571) 16" Storm Collar-DVR
214-146	(2646) 10" ADJ Roof Flash-DVR	214-272	(2572) 18" Storm Collar-DVR
214-147	(2647) 12" ADJ Roof Flash-DVR	214-273	(2573) 20" Storm Collar-DVR
214-156	(2656) 10-14" DVR Storm Collar	214-274	(2574) 22" Storm Collar-DVR
214-200	(2500) 14"x3' DVR Class B Pipe	214-275	(2575) 24" Storm Collar-DVR
214-201	(2501) 16"x3' DVR Class B Pipe	214-276	(2576) 26" Storm Collar-DVR
214-202	(2502) 18"x3' DVR Class B Pipe	214-290	(2690) 14" Tee Cap-Class B DVR
214-203	(2503) 20"x3' DVR Class B Pipe	214-291	(2691) 16" Tee Cap-Class B DVR
214-204	(2504) 22"x3' DVR Class B Pipe	214-292	(2692) 18" Tee Cap-Class B DVR
214-205	(2505) 24"x3' DVR Class B Pipe	214-293	(2693) 20" Tee Cap-Class B DVR
214-220	(2520)14"x18" DVR Class B Pipe	214-294	(2694) 22" Tee Cap-Class B DVR
214-221	(2521)16"x18"DVR Class B Pipe	214-295	(2695) 24" Tee Cap-Class B DVR
214-222	(2522)18"x18" DVR Class B Pipe	214-610	146F 10" DVR Tall Cone Flashing
214-223	(2523)20"x18" DVR Class B Pipe	214-612	147F 12" DVR Tall Cone Flashing
214-224	(2524)22"x18" DVR Class B Pipe	214-614	280F 14" DVR Tall Cone Flashing
214-225	(2525)24"x18" DVR Class B Pipe	214-616	281F 16" DVR Tall Cone Flashing
214-240	(2540) 14" DVR Tee-Class B	214-618	282F 18" DVR Tall Cone Flashing
214-241	(2541) 16" DVR Tee-Class B	214-620	283F 20" DVR Tall Cone Flashing
214-242	(2542) 18" DVR Tee-Class B	214-622	284F 22" DVR Tall Cone Flashing
214-243	(2543) 20" DVR Tee-Class B	214-624	284F 24" DVR Tall Cone Flashing

# Duct Connectors

Models MBX, NFT4, MB6X4, JBX & MFN

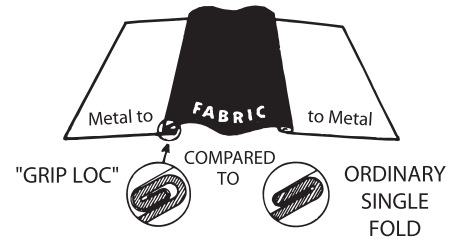


Stock #	Description
250-001	MBX-100 DuroDyne Black Excelon Flex/Duct Connector 10159
250-003	MFT4-100 DuroDyne Thermo-Fab Flex/Duct Connector 10005
250-007	MB6X4-100 DuroDyne Black Excelon Flex/Duct Connector 10160
250-012	JBX-100 DuroDyne Black Excelon Flex/Duct Connector 10169
250-019	MFN4x4x4x-100 D.D. Neoprene Flex/Duct Connector 10211



## The "GRIP LOC" Advantage:

The double-lock gripping fingers of metal-to-fabrics add tremendously to holding power, compared with conventional single fold method. Grip Loc is standard on Metal-Fab and Super Metal-Fab.

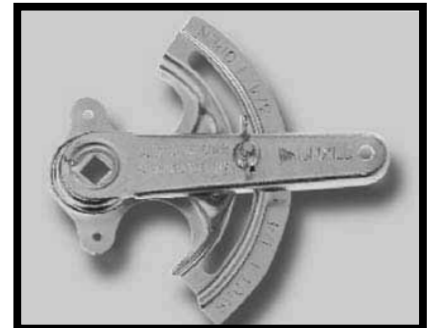
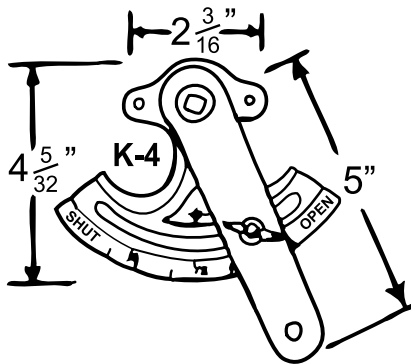


# 3/8" Quad Regulator

Model# K4



Stock #	Description
250-453	3/8" Quad Regulator



# Dyna-Tite Wire Rope

Models WC3, WC4, WC6



Stock #	Description
253-431	WC-3, 3/32" Wire Rope
253-421	WC-4, 1/8" Wire Rope
253-423	WC-6, 3/16" Wire Rope



Ductwork, Venting & Accessories

## Dyna-Tite Eye Bolt

Model# DDG3W



Stock #	Description
253-425	Eye Bolt & Nut ( 3/8"-16 x 2-1/2" )



## Rapit Spring Bearing

Model# RB50



Stock #	Description
250-270	Rapit Spring Bearing
250-900	Rapit Spring Bearing ( Bulk )



## Tripod Bangers

Impact Driven, Mechanical Fastener, Model# TBG



Stock #	Description
253-253	TBGB-12 26133 For 1/2"-2LB Tripod Banger (5M Bulk Pack)
253-254	TBGB-100 26134 For 1"-1 1/2LB (5M Bulk Pack) 26028



## Econo Point

Weld Type Fastener, Model# FTC



Stock #	Description
253-320	FTC12 1/2" ECONO POINTS (5M BULK PACKS) 26072
253-321	FTC34 3/4" ECONO POINTS (5M BULK PACKS) 26073
253-322	FTC100 1" ECONO POINTS (5M BULK PACKS) 26074
253-323	FTC150 1-1/2" ECONO POINTS (3M BULK PACKS)



## Rib Pin

Weld Type Fastener, Model# CP



Stock #	Description
253-310	CPB12 1/2" RIB PINS (5M BULK PACK) 26028
253-311	CPB34 3/4" RIB PINS (5M BULK PACK) 26029
253-312	CPB100 1" RIB PINS (5M BULK PACK) 26030
253-315	CPB200 2" RIB PINS (3M BULK PACK) 26038





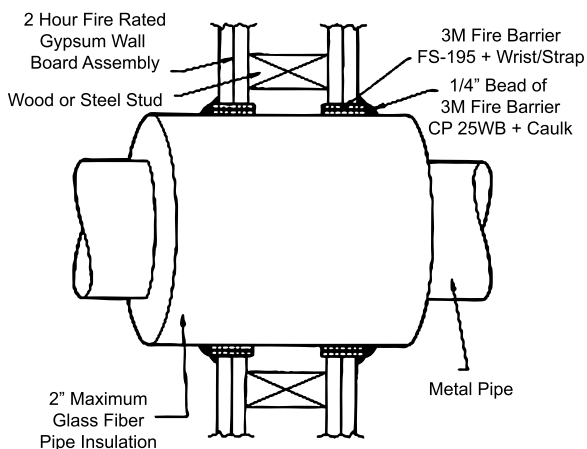
# Insulation & Accessories

## 3M Products



### FS-195 + Wrap/Strip

Stock #	Description
196-005	3M FS-195+ Wrap/Strip 1"x24" (20PC/CTN)

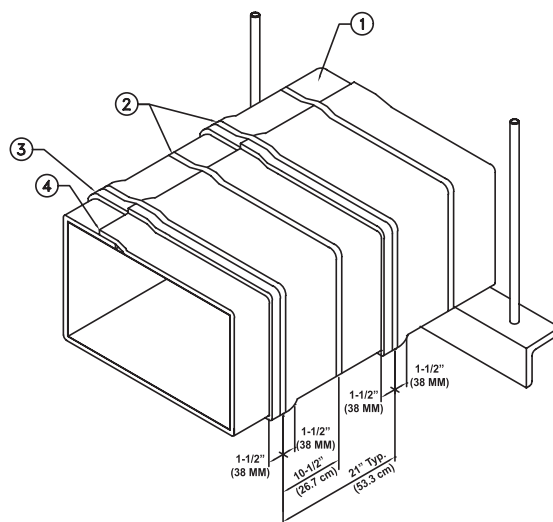


### Duct Wrap/15A Fire Barrier

Stock #	Description
196-008	3M Duct Wrap 1.5" x 24" x 20FT 15A Fire Barrier 1-2 Hour



1. One Layer 3M Fire Barrier Duct Wrap 15A
2. Steel Banding 1/2 in. (13 mm) Wide Min. Typical
3. 3 in. (76 mm) Min. Longitudinal Overlap
4. 3 in. (76 mm) Min. Perimeter Overlap



### Other 3M Products ( Continued )

Stock #	Description
196-006	3M Fire Barrier 27.5 oz Caulk ***** Large Tubes *****
196-012	1/2" X200' Stainless Band 09002301 For 3M Wrap
196-014	09003302 Seals (100/PK) For 1/2" Banding

Ductwork, Venting & Accessories

# Adhesives & Sealants

Foster, Hardcast, Permatite, Ward & Quik-Stik

## Sealants

Stock #	Description
252-007	Ward Sealant (55 GAL)
252-021	Ward WB (GAL) Non Fiber Sealer
999-036	Hardcast 321-25 WB Tube Indoor/Outdoor Duct Sealer Gray (25/CTN)
999-037	Hardcast 404-25 SB Tube Indoor/Outdoor Duct Sealer Gray (25/CTN)
999-038	Hardcast DT5300 3"x150' Gypsum Tape
999-039	Hardcast RTA50 Adhesive GAL (Used W/DT-5300 For Sealing)
999-041	Hardcast 601-25 WB Tube Indoor Duct Sealer Gray UL181 25/CTN
999-042	Hardcast 404-5 SB 5 GAL Indoor Duct Sealer (5 GAL/PAIL)
999-140	Hardcast 404-4 SB GAL Indoor Duct Sealer
999-142	Hardcast 02"x100' Class I Seal
999-143	Hardcast 03"x100' Class I Seal
999-144	Hardcast 601-04 WB GAL Indoor Duct Sealer Gray UL181
999-145	Hardcast 321-4 WB Indoor/Outdoor Duct Sealer
999-146	Hardcast 1902-FR BUTYL Gas (D) 5/8"x3/16" Thick-25'-500'/CTN
999-052	Permatite Class II Tube S/B +32 DEG Duct Sealer (24/CTN)
999-711	Permatite 711 Tube S/B +32 DEG Duct Sealer Silver (24/CTN)

## Adhesives

Stock #	Description
251-032	WIT-55 Adhesive 5058 (55gal)
251-033	WSA-5 Adhesive 5036 (5GAL)
251-034	WSA-55 Adhesive 5037 (55GAL)
274-005	Foster 85-60 (5GL) WB Adhesive
274-055	Foster 85-60 55GL WB Adhesive
274-064	Foster 85-65 (5GL) WB Adhesive
274-065	Foster 85-65 (55GL) WB Adhesive
274-067	Foster 85-00 (55GL) WB Adhesive
274-070	Foster 40/20 (5GL) Fungi Coat
274-310	Quik-Stik Adhesive Spray 12oz
274-568	Foster 85-00 (5 GL) WB Adhesive
274-820	Foster 82-00 (1GL) Liner Adhesive

# Rubber Roof Supports



## Model# MXP

Stock #	Description
999-074	(MPX) Mini-Port Support 4" H x 6" W x 4.8" L

No Image

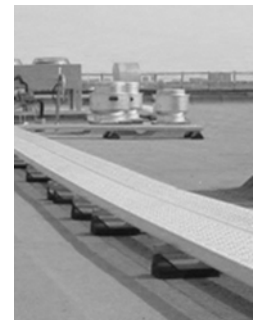
## Model# CXP

Stock #	Description
999-075	(CXP) C-Port Support 4" H x 6" W x 9.6" L



## Model# C

Stock #	Description
999-076	(C10) Strut Support Series with Channel
999-079	(C48) Strut Support Series with Channel



## Model# CE10-8

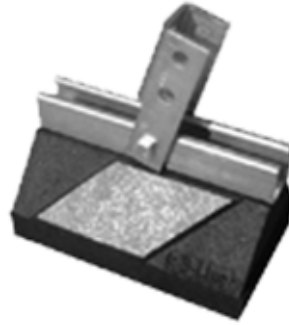


Stock #	Description
999-077	(CE10-8) C-Port Support with Extension & Channel 8" H x 6" W x 9.6" L

Ductwork, Venting & Accessories

**Model# CS10**

Stock #	Description
999-078	(CS10 )Vari-Angle Support System 5-5/8" H x 6" W x 9.6" L



**Model# AP**

Stock #	Description
999-081	(AP24) Air-Port Equipment Support 2" H x 5" W x 24" L
999-084	(AP36) Air-Port Equipment Support 2" H x 5" W x 36" L





# Notes

## List of Manufacturers ( 1 of 2 )

- ACME Engineering** ..... PRV's, Centrifugal Ventilation Products, Exhaust Power Roof Ventilators, Inline Duct Fans, Wall Ventilators, Gravity Ventilators, Propeller Fans, Axial Fans & Roof Ventilators
- American Aldes** ..... Ventilation Equipment & Accessories
- Belimo** ..... Commercial & Residential Damper Actuators & Valves
- BLC Industries** ..... HVAC Air Filtration Equipment
- Bousquet Brothers** ..... Custom Make-Up Air Units, Indirect Fired, Direct Fired, Hot Water Coil & Industrial Duty
- Broan** ..... Commercial & Residential Ventilation Equipment
- C-Port** ..... Rubber Rooftop Supports
- C.L. Ward** ..... Duct Flange Systems & Access Doors
- Continental Fan** ..... Commercial & Residential Ventilation Equipment
- DuroDyne** ..... Duct Connectors, Damper Accessories, Insulation Adhesives & Sealants
- Dynasonics** ..... Sound Panels, Commercial & Industrial Sound Attenuators
- FabricAir** ..... Fabric Dispersion Systems
- Honeywell** ..... Indoor Air Quality Products & System Controls
- ILG/American Cool Air** .... PRV's, Centrifugal Ventilation Products, Exhaust Power Roof Ventilators, Inline Duct Fans, Wall Ventilators, Gravity Ventilators, Propeller Fans, Axial Fans & Roof Ventilators
- Industrial Chimney** ..... Pressure Stack Chimney
- Leading Edge** ..... Commercial Ceiling Destratification Fans
- Mars** ..... Air Curtains
- Modine** ..... Industrial, Commercial, & Residential Heating Equipment
- Mr Pex Systems** ..... Radiant In-floor Tubing & Accessories
- Nailor Industries** ..... Grilles, Registers, Diffusers, Single Duct, Dual Duct, By-pass & Fan Powered VAV Boxes, Electric Duct Heaters, Fire Smoke Dampers, Ceiling Rated Fire Dampers & Blankets, Access Doors, & Back Draft Dampers
- National Comfort Products** ..... Packaged Through the Wall Air Conditioners  
Furnaces/Condensers

## List of Manufacturers ( 2 of 2 )

<b>National System of Garage Ventilation</b> .....	Garage Ventilation, Hose Reels, Blowers, CO Detectors, Boom Arms & Dust Collection
<b>Owens-Corning</b> .....	Duct Liner Insulation, Insulated Duct Board, & Duct Wrap
<b>Perfection Schwank</b> .....	Radiant Infrared Gas Heating Equipment
<b>Polymil</b> .....	Fiberglass Fans & Accessories
<b>Pottorff</b> .....	Louvers, Air Control Dampers & Life Safety Dampers
<b>Q-Mark</b> .....	Electric Heating Products & Air Curtains
<b>Reliable</b> .....	Grilles, Registers & Diffusers
<b>Roof Product Systems</b> .....	Roof Curbs, Curb Adapters & Equipment Rails
<b>Rupp Air Management</b> .....	Make-Up Air, Direct Fired, Direct/Indirect Fired, Commercial & Industrial
<b>Select Air Systems</b> .....	Kitchen Hoods, Heated Make-Up Air Units & Fire Suppression Systems
<b>Simpson/Dura-Vent</b> .....	Gas Vent Pipe & Fittings
<b>Tangent Air</b> .....	Spiral Duct & Fittings
<b>Thermaflex</b> .....	Insulated & Un-insulated Flexible Air Duct
<b>Tjernlund Products</b> .....	Auto Draft Inducers & Sidewall Gas Vent Systems
<b>Total Security Solutions</b> .....	Security Grilles, Registers & Diffusers
<b>United Enertech</b> .....	Louvers, Dampers, Penthouses, Ventilators & Roof Curbs
<b>Weather-Rite</b> .....	Indirect Fired, Direct Fired & Hot Water Coil Make-Up Air Units
<b>Zonex</b> .....	Commercial Zoning Systems & DDC Control of Multiple Rooftop Applications